



PARTS CATALOGUE

WR450FS '04 (5TJ7) SOUTH AFRICA

WR450FS/WR450F



A4

FOREWORD

This Parts Catalogue is related to the parts for the model(s) on the cover page. When you are ordering replacement parts, please refer to this Parts Catalogue and quote both part numbers and part names correctly.

1. Modifications or additions which have been made after the issue of the Parts Catalogue will be announced in the Parts News.

It is advisable that you make the necessary corrections to the Parts Catalogue according to the Parts News.

2. Abbreviations

The following abbreviations are used in this Parts Catalogue.

“UR” Use specified parts number.

“UN” Use as many as needed.

“AP” Alternate Parts

“LM” Locally Made (Parts need to be ordered locally)

“F#” Frame No. (Applicable machine No.)

“O/S” Over Size

3. The number of components for assembly

- Parts, which are to be supplied in an assembly, are listed with a dot (.) in front of the part name as shown below.
- The numeral appearing to the right of each component part indicates the quantity of parts for each assembly unit.

PART NO.	DESCRIPTION	Q'TY	REMARKS
2F5-83310-60	FRONT FLASHER LIGHT ASSY	2	
115-83311-60	.BULB (6V-18W)	1	

4. Applicable colours of graphics are represented in the “REMARKS” as shown below.

PART NO.	DESCRIPTION	Q'TY	REMARKS
2N4-24110-00-X5	FUEL TANK COMP.	2	MXR
3J1-24240-10	.GRAPHIC, FUEL TANK	1	FOR MXR

5. Note that the illustrations for reference in finding parts numbers are not to be used for assembling. When assembling, please use the applicable service manual.

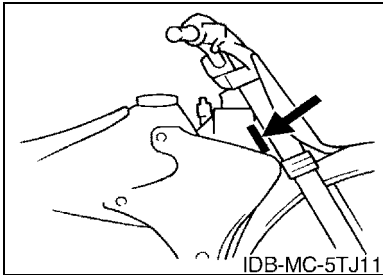
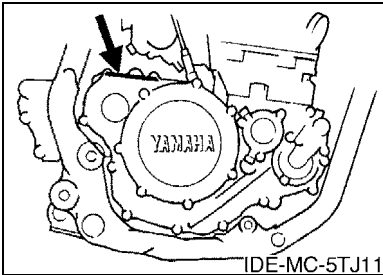
6. The asterisk (*) before a reference number indicates modified items after the first edition.

FOREWORD

7. Applicable Serial No.

Engine Serial No.

Frame Serial No.



8. Applicable Colour Code (The (*) mark shows Model colour.)

Abbreviation	Colour Name	Colour Code
DPBSE(*)	DEEP PURPLISH BLUE SOLID E	0583

CONTENTS

ENGINE

CYLINDER	B2
CRANKSHAFT & PISTON	B4
VALVE	B5
CAMSHAFT & CHAIN	B7
WATER PUMP	B8
RADIATOR & HOSE	B9
OIL PUMP	B10
OIL CLEANER	B11
INTAKE	B12
CARBURETOR	B14
EXHAUST	C4
CRANKCASE	C5
CRANKCASE COVER 1	C6
STARTER	C8
STARTER CLUTCH	C9
CLUTCH	C10
TRANSMISSION	C11
SHIFT CAM & FORK	C13
SHIFT SHAFT	C14

CHASSIS

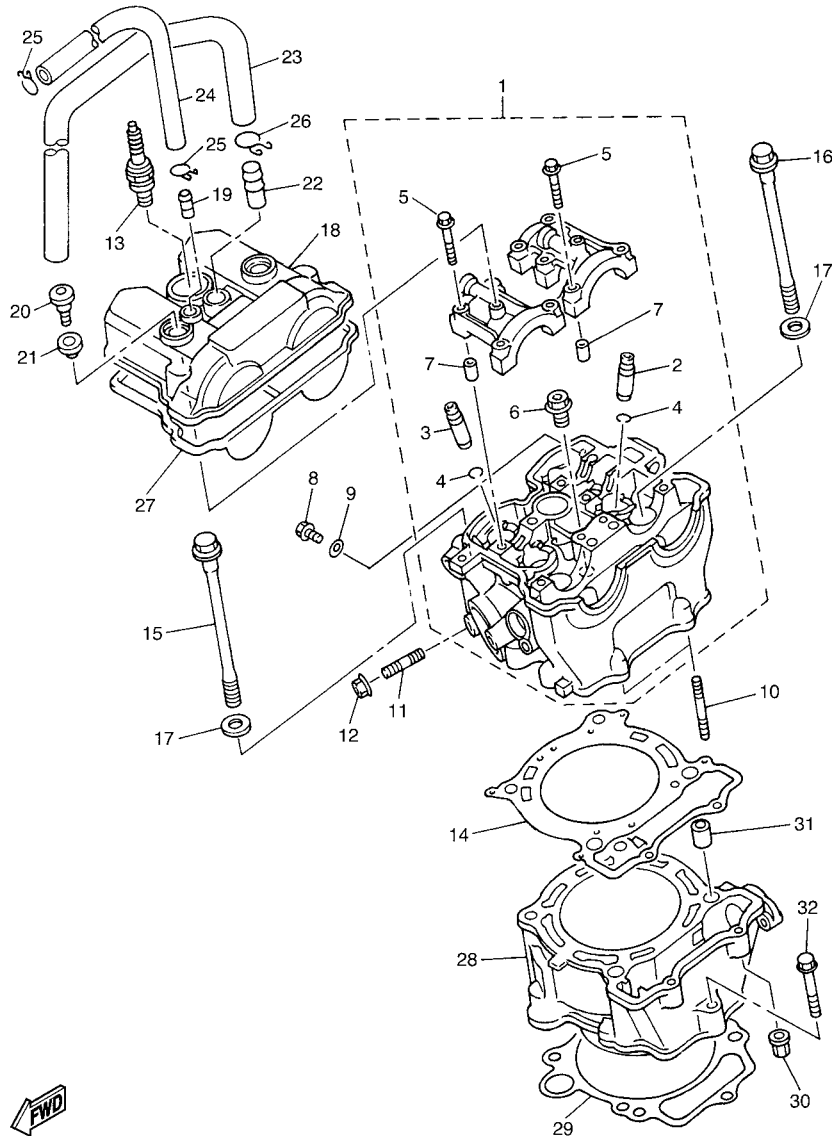
FRAME	C15
FENDER	D3
SIDE COVER	D4
REAR ARM	D5
REAR SUSPENSION	D7
STEERING	D9
FRONT FORK	D10
FUEL TANK	D13
SEAT	D15
FRONT WHEEL	E2
FRONT BRAKE CALIPER	E3
REAR WHEEL	E4
REAR BRAKE CALIPER	E6
STEERING HANDLE & CABLE	E7
FRONT MASTER CYLINDER	E8
STAND & FOOTREST	E9
REAR MASTER CYLINDER	E11
GENERATOR	E12
STARTING MOTOR	E13
METER	E14

HEADLIGHT	E15
TAILLIGHT	F2
HANDLE SWITCH & LEVER	F3
ELECTRICAL 1	F4
ALTERNATE FOR CHASSIS	F6
ALTERNATE DECOMPRESSION KIT	F8

INDEX

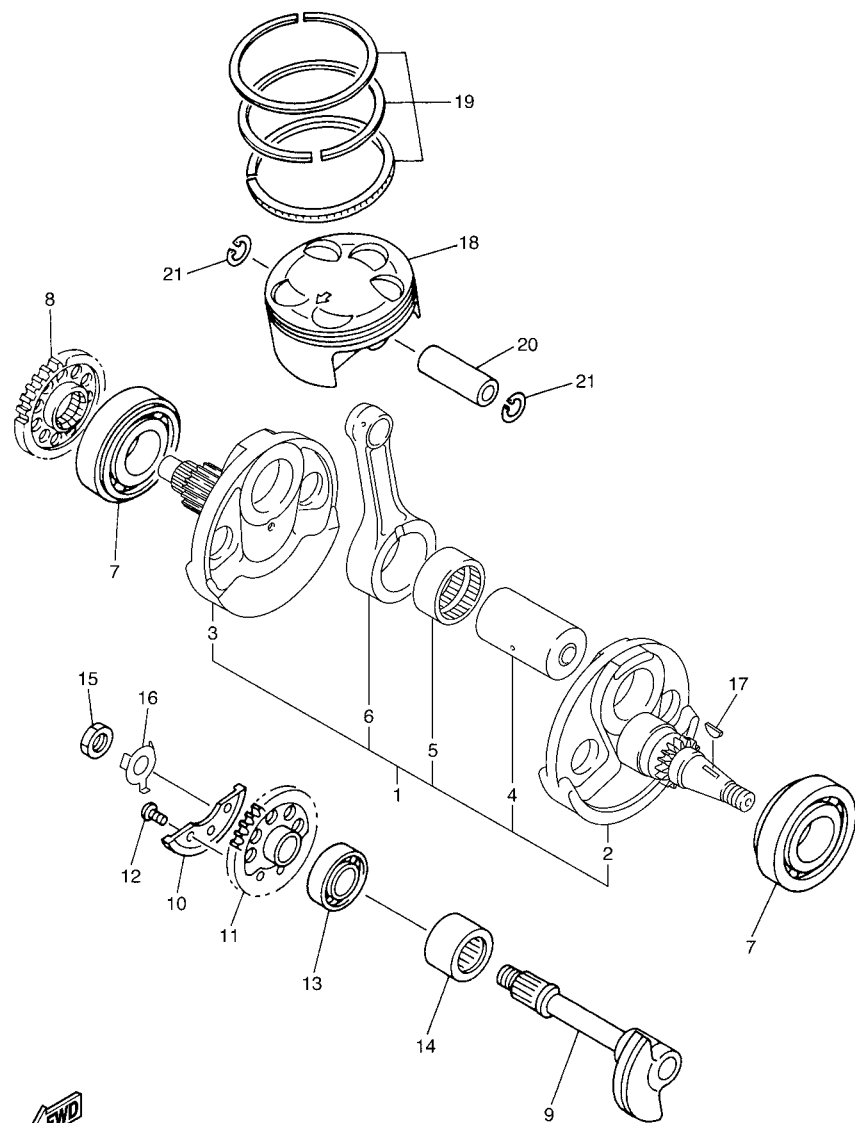
NUMERICAL INDEX	M1
-----------------------	----

FIG. 1 CYLINDER



5TA1100-B010

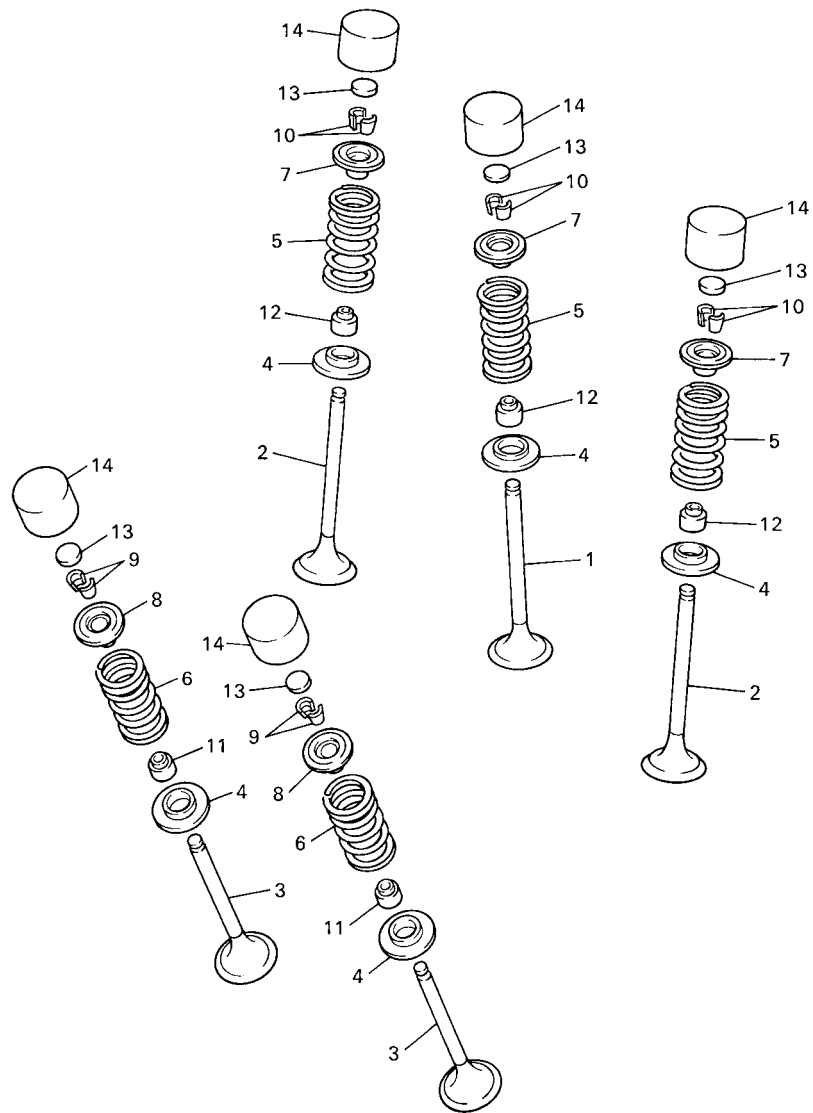
REF. NO.	PART NO.	DESCRIPTION	5TJ5	5TJ6	5TJ7	REMARKS
1	5TA-11102-10	CYLINDER HEAD ASSY	1	1	1	
2	5TA-11133-10	.GUIDE, VALVE 1	3	3	3	
3	5TA-11134-10	.GUIDE, VALVE 2	2	2	2	
4	93440-10153	.CIRCLIP	5	5	5	
5	90105-06027	.BOLT, FLANGE	10	10	10	
6	90340-12112	.PLUG, STRAIGHT SCREW	1	1	1	
7	91808-16023	.PIN, DOWEL	4	4	4	
8	95027-06010	BOLT, FLANGE	1	1	1	
9	90430-06014	GASKET	1	1	1	
10	95617-06635	BOLT, STUD	2	2	2	
11	95617-08620	BOLT, STUD	1	1	1	
12	95707-08500	NUT, FLANGE	1	1	1	
13	NGK-CR8E	PLUG, SPARK (NGK R CR8E)	1	1	1	
14	5TA-11181-00	GASKET, CYLINDER HEAD 1	1	1	1	
15	90105-104A7	BOLT, FLANGE	2	2	2	
16	90105-106A3	BOLT, FLANGE	2	2	2	
17	90201-10025	WASHER, PLATE	4	4	4	
18	5TA-11191-00	COVER, CYLINDER HEAD 1	1	1	1	
19	5BE-11167-00	PIPE, BREATHER 2	1	1	1	
20	90109-066F0	BOLT	2	2	2	
21	4KG-1111G-00	RUBBER, MOUNT 1	2	2	2	
22	371-11167-01	PIPE, BREATHER 2	1	1	1	
23	5TA-11166-00	PIPE, BREATHER 1	1	1	1	
24	90445-112K0	HOSE (L285)	1	1	1	
25	90467-11106	CLIP	2	2	2	
26	90467-14015	CLIP	1	1	1	
27	5TA-11193-00	GASKET, HEAD COVER 1	1	1	1	



5TA1100-B020

FIG. 2 CRANKSHAFT & PISTON

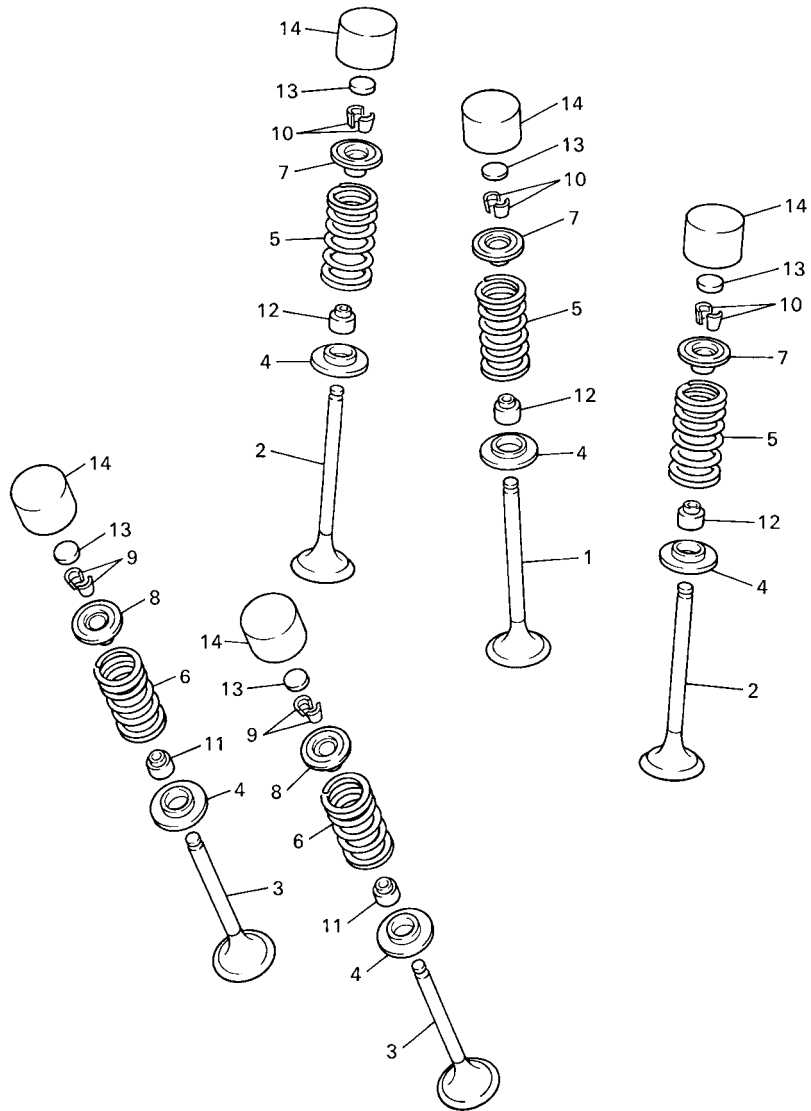
REF. NO.	PART NO.	DESCRIPTION	5TJ5	5TJ6	5TJ7	REMARKS
1	5TJ-11400-10	CRANKSHAFT ASSY	1	1	1	
2	5TJ-11412-10	.CRANK 1	1	1	1	
3	5TA-11422-00	.CRANK 2	1	1	1	
4	5TA-11681-00	.PIN, CRANK 1	1	1	1	
5	93310-63417	.BEARING	1	1	1	
6	5XD-11651-00	.ROD, CONNECTING	1	1	1	
7	93306-30633	BEARING	2	2	2	
8	5TA-11536-00	GEAR, DRIVE	1	1	1	
9	5TA-11455-11	SHAFT 1	1	1	1	
10	5BE-11454-00	WEIGHT 1	1	1	1	
11	5TA-11531-01	GEAR, BALANCE WEIGHT	1	1	1	
12	90149-06250	SCREW	3	3	3	
13	93306-20335	BEARING	1	1	1	
14	93311-62574	BEARING	1	1	1	
15	90170-14171	NUT	1	1	1	
16	90215-14287	WASHER, LOCK	1	1	1	
17	90280-03006	KEY, WOODRUFF	1	1	1	
18	5TJ-11631-00	PISTON (STD)	1	1	1	
19	5JG-11603-00	PISTON RING SET (STD)	1	1	1	
20	5TA-11633-00	PIN, PISTON	1	1	1	
21	93420-18082	CIRCLIP	2	2	2	



5BE100-8030

FIG. 3 VALVE

REF. NO.	PART NO.	DESCRIPTION	5TJ5	5TJ6	5TJ7	REMARKS
1	5TA-12111-00	VALVE, INTAKE	1	1	1	
2	5TA-12112-00	VALVE, INTAKE 2	2	2	2	
3	5TA-12121-00	VALVE, EXHAUST	2	2	2	
4	3GM-12126-00	SEAT, VALVE SPRING 2	5	5	5	
5	5TA-12113-00	SPRING, VALVE INNER	3	3	3	
6	5TA-12114-00	SPRING, VALVE OUTER	2	2	2	
7	5BE-12117-00	RETAINER, VALVE SPRING	3	3	3	
8	4GY-12117-00	RETAINER, VALVE SPRING	2	2	2	
9	1AA-12118-00	COTTER, VALVE	4	4	4	
10	1WG-12118-00	COTTER, VALVE	6	6	6	
11	33M-12119-00	SEAL, VALVE STEM	2	2	2	
12	4SV-12119-00	SEAL, VALVE STEM	3	3	3	
13	3LD-12168-00	PAD, ADJUSTING (1.20)	5	5	5	UR
	3LD-12168-20	PAD, ADJUSTING (1.25)	5	5	5	UR
	3LD-12168-40	PAD, ADJUSTING (1.30)	5	5	5	UR
	3LD-12168-60	PAD, ADJUSTING (1.35)	5	5	5	UR
	3LD-12168-80	PAD, ADJUSTING (1.40)	5	5	5	UR
	3LD-12168-A0	PAD, ADJUSTING (1.45)	5	5	5	UR
	3LD-12168-F0	PAD, ADJUSTING (1.50)	5	5	5	UR
	3LD-12168-H1	PAD, ADJUSTING (1.55)	5	5	5	UR
	3LD-12168-K1	PAD, ADJUSTING (1.60)	5	5	5	UR
	3LD-12168-M1	PAD, ADJUSTING (1.65)	5	5	5	UR
	3LD-12168-R1	PAD, ADJUSTING (1.70)	5	5	5	UR
	3LD-12168-U1	PAD, ADJUSTING (1.75)	5	5	5	UR
	3LD-12168-W1	PAD, ADJUSTING (1.80)	5	5	5	UR
	3LD-12168-Y1	PAD, ADJUSTING (1.85)	5	5	5	UR
	3LD-12169-11	PAD, ADJUSTING (1.90)	5	5	5	UR



5BE100-8030

FIG. 3 VALVE

REF. NO.	PART NO.	DESCRIPTION	5TJ5	5TJ6	5TJ7	REMARKS
13	3LD-12169-31	PAD, ADJUSTING (1.95)	5	5	5	UR
	3LD-12169-50	PAD, ADJUSTING (2.00)	5	5	5	UR
	3LD-12169-70	PAD, ADJUSTING (2.05)	5	5	5	UR
	3LD-12169-90	PAD, ADJUSTING (2.10)	5	5	5	UR
	3LD-12169-E0	PAD, ADJUSTING (2.15)	5	5	5	UR
	3LD-12169-G0	PAD, ADJUSTING (2.20)	5	5	5	UR
	3LD-12169-J0	PAD, ADJUSTING (2.25)	5	5	5	UR
	3LD-12169-L0	PAD, ADJUSTING (2.30)	5	5	5	UR
	3LD-12169-N0	PAD, ADJUSTING (2.35)	5	5	5	UR
	3LD-12169-T0	PAD, ADJUSTING (2.40)	5	5	5	UR
14	3FV-12153-10	LIFTER, VALVE	5	5	5	UR YELLOW
	3FV-12153-09	LIFTER, VALVE (O/S)	5	5	5	UR GREEN

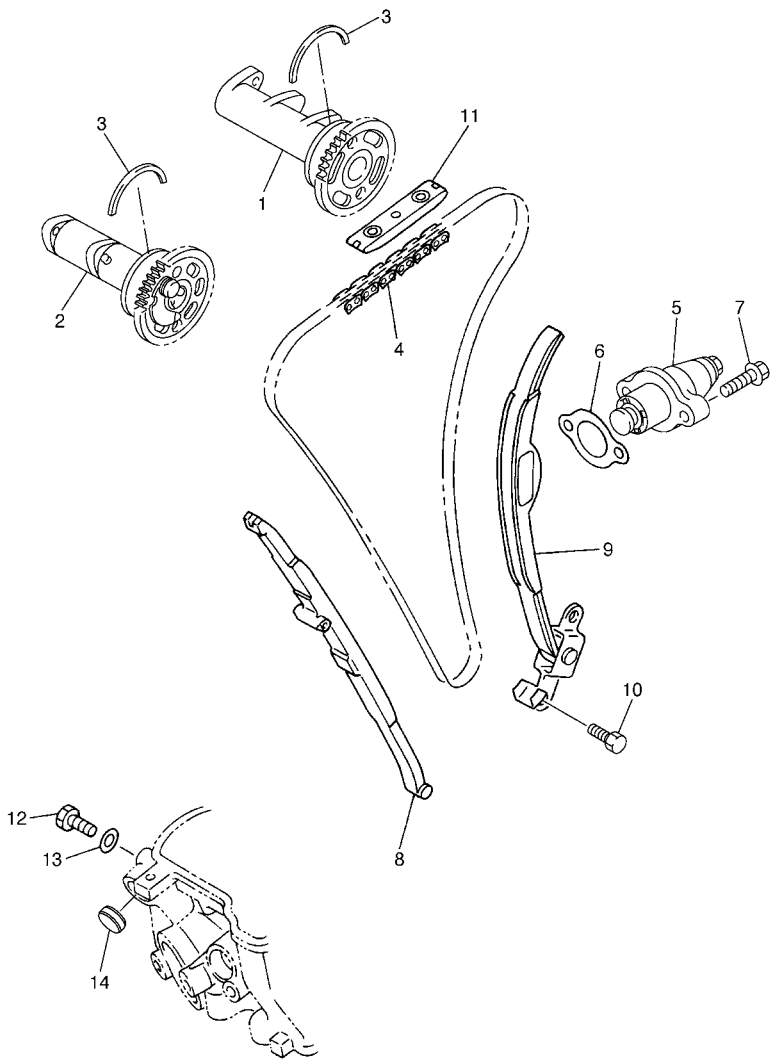


FIG. 4 CAMSHAFT & CHAIN

REF. NO.	PART NO.	DESCRIPTION	5TJ5	5TJ6	5TJ7	REMARKS
1	5TA-12170-00	CAMSHAFT ASSY 1	1	1	1	
2	5TJ-12180-10	CAMSHAFT ASSY 2	1	1	1	
3	93440-41178	CIRCLIP	2	2	2	
4	94591-57118	CHAIN (98XRH2010-118M)	1	1	1	
5	5TA-12210-00	TENSIONER ASSY, CAM CHAIN	1	1	1	
6	4FM-12213-00	GASKET, TENSIONER CASE	1	1	1	
7	95027-06025	BOLT, FLANGE	2	2	2	
8	5TA-12251-01	DAMPER, CHAIN 1	1	1	1	
9	5TA-12252-00	DAMPER, CHAIN 2	1	1	1	
10	5TG-12299-00	BOLT, STOPPER	2	2	2	
11	5BE-12241-00	GUIDE, STOPPER 2	1	1	1	
12	90109-06418	BOLT	1	1	1	
13	90430-06014	GASKET	1	1	1	
14	90338-18064	PLUG	1	1	1	

FWD
5TJ5100-C040

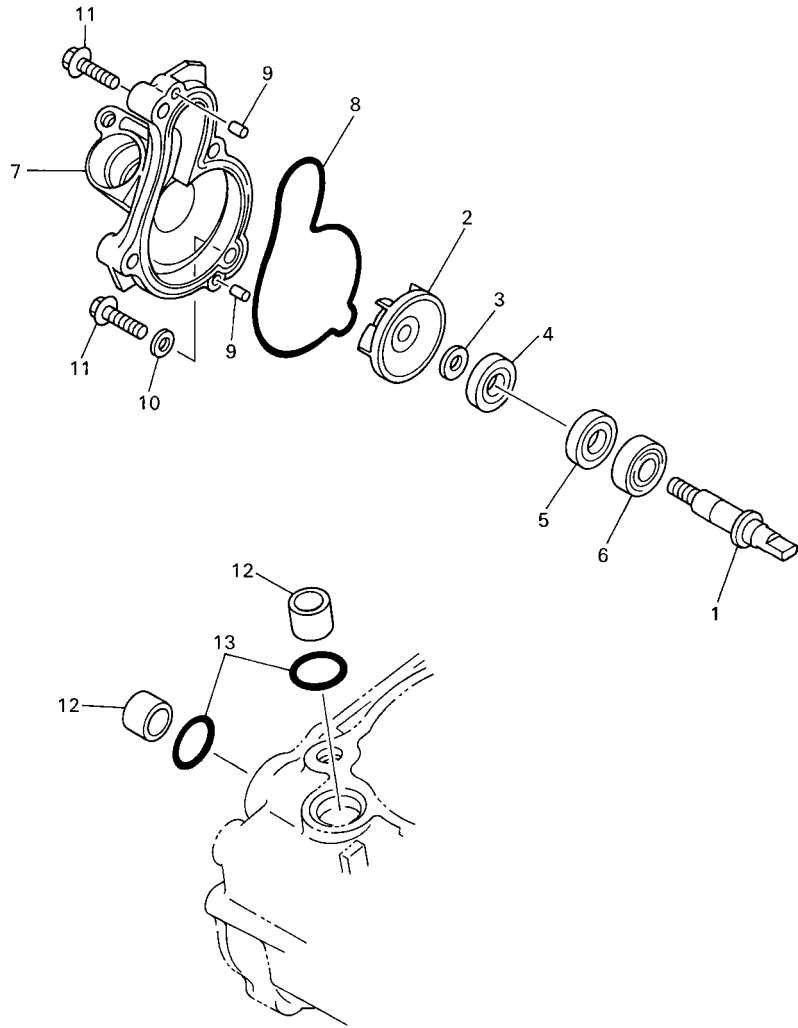


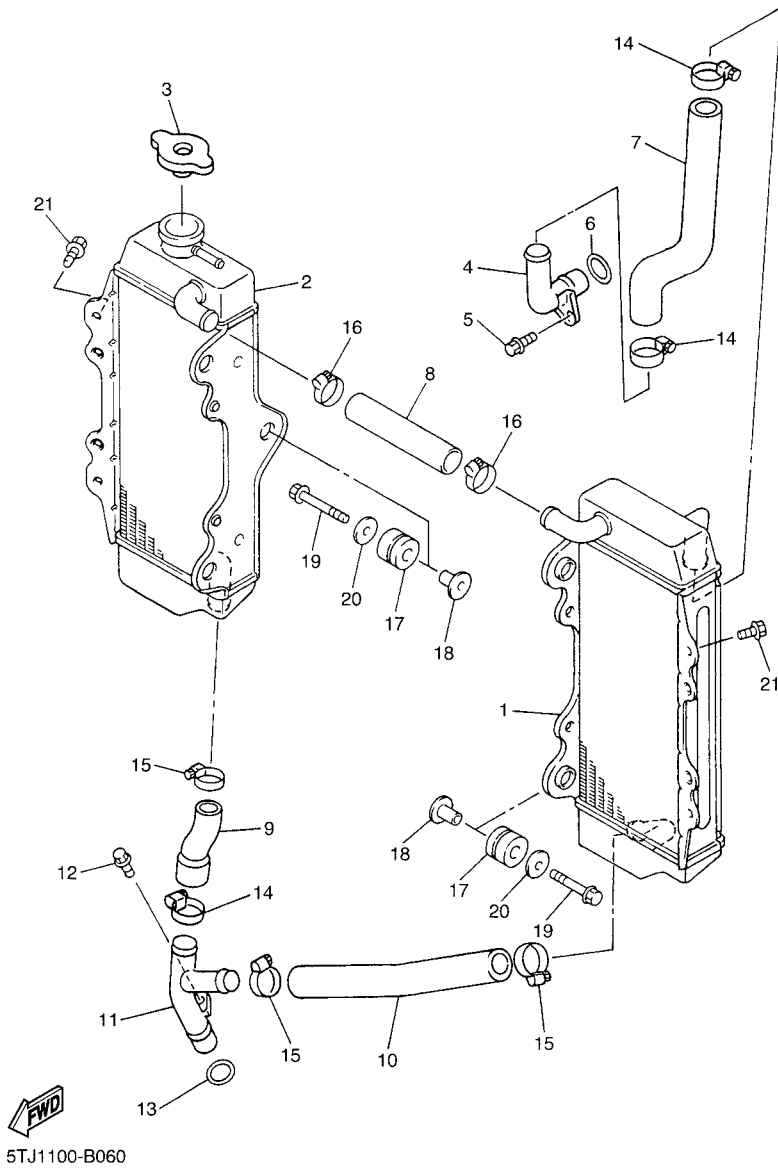
FIG. 5 WATER PUMP

REF. NO.	PART NO.	DESCRIPTION	5TJ5	5TJ6	5TJ7	REMARKS
1	5GR-12458-00	SHAFT, IMPELLER	1	1	1	
2	5DJ-12451-00	IMPELLER, WATER PUMP	1	1	1	
3	90201-08512	WASHER, PLATE	1	1	1	
4	93109-11073	OIL SEAL	1	1	1	
5	93102-12106	OIL SEAL (SD 12-22-5 HS)	1	1	1	
6	93306-00105	BEARING (B6001)	1	1	1	
7	5BE-12422-20	COVER, HOUSING	1	1	1	
8	5BE-12439-00	O-RING	1	1	1	
9	93604-10011	PIN, DOWEL	2	2	2	
10	90430-06014	GASKET	1	1	1	
11	95027-06030	BOLT, FLANGE	4	4	4	
12	5BE-12564-00	PIPE, WATER	2	2	2	
13	93210-19758	O-RING	2	2	2	



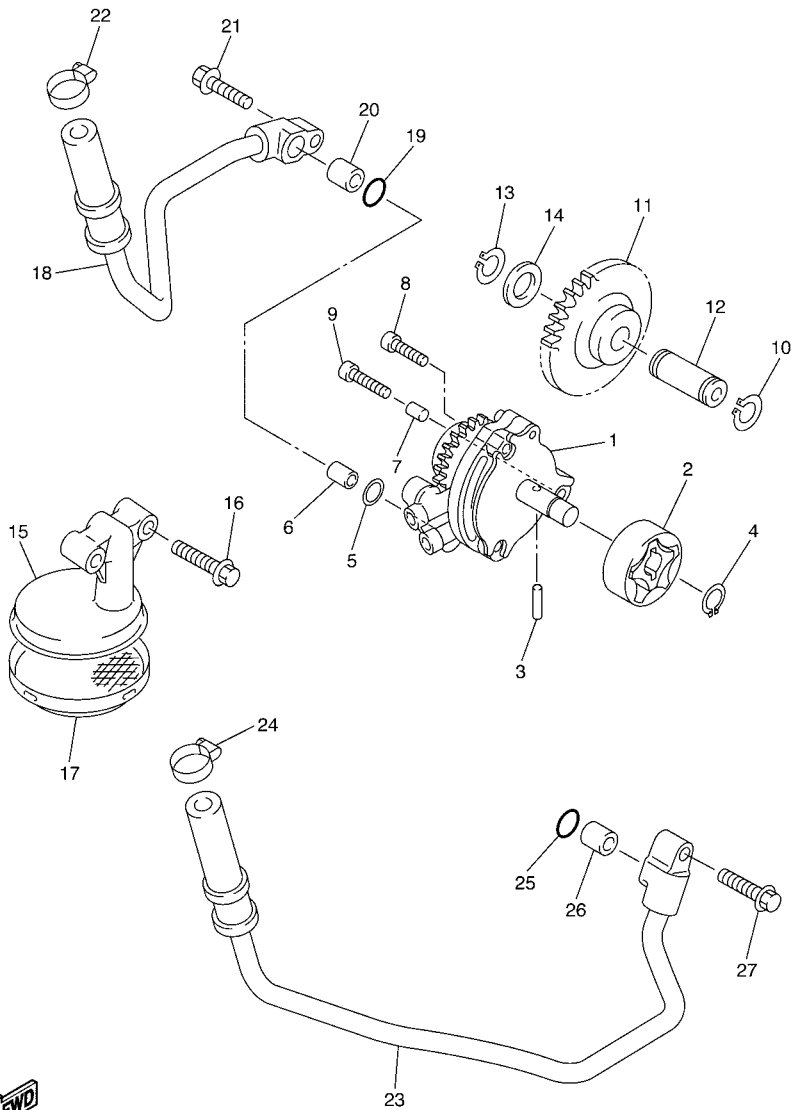
5BE100-8050

FIG. 6 RADIATOR & HOSE



REF. NO.	PART NO.	DESCRIPTION	5TJ5	5TJ6	5TJ7	REMARKS
1	5TJ-1240A-00	RADIATOR ASSY	1	1	1	
2	5TJ-12461-00	RADIATOR ASSY	1	1	1	
3	5HD-12462-00	CAP, RADIATOR	1	1	1	
4	5TA-12481-00	PIPE 1	1	1	1	
5	95027-06012	BOLT, FLANGE	1	1	1	
6	93210-16500	O-RING	1	1	1	
7	5TA-12576-00	HOSE 1	1	1	1	
8	5SG-12579-00	HOSE 4	1	1	1	
9	5TA-12578-00	HOSE 3	1	1	1	
10	5TA-12579-00	HOSE 4	1	1	1	
11	5TA-12482-00	PIPE 2	1	1	1	
12	95027-06012	BOLT, FLANGE	1	1	1	
13	93210-16500	O-RING	1	1	1	
14	90450-28014	HOSE CLAMP ASSY	3	3	3	
15	90450-25037	HOSE CLAMP ASSY	3	3	3	
16	90450-22017	HOSE CLAMP ASSY	2	2	2	
17	90480-15528	GROMMET	6	6	6	
18	90387-06065	COLLAR	6	6	6	
19	95027-06025	BOLT, FLANGE	6	6	6	
20	90201-06571	WASHER, PLATE	6	6	6	
21	95827-06010	BOLT, FLANGE	2	2	2	

FIG. 7 OIL PUMP



5TA1100-B070

REF. NO.	PART NO.	DESCRIPTION	5TJ5	5TJ6	5TJ7	REMARKS
1	5TA-13300-00	OIL PUMP ASSY	1	1	1	
2	5TA-13320-00	ROTOR ASSY 2	1	1	1	
3	93603-16219	PIN, DOWEL	1	1	1	
4	93440-10153	CIRCLIP	1	1	1	
5	93210-10197	O-RING	1	1	1	
6	99530-10114	PIN, DOWEL	1	1	1	
7	99530-08012	PIN, DOWEL	1	1	1	
8	90110-06058	BOLT, HEXAGON SOCKET HEAD	2	2	2	
9	91314-06030	BOLT	1	1	1	
10	99001-08600	CIRCLIP	1	1	1	
11	5TA-13341-00	GEAR, OIL PUMP IDLE	1	1	1	
12	5BE-13342-00	SHAFT, IDLE GEAR	1	1	1	
13	99009-12400	CIRCLIP	1	1	1	
14	90201-12166	WASHER, PLATE	1	1	1	
15	5TA-13412-00	HOUSING, STRAINER	1	1	1	
16	95027-06025	BOLT, FLANGE	2	2	2	
17	5BE-13411-00	STRAINER, OIL	1	1	1	
18	5TA-13464-00	HOSE, OIL 1	1	1	1	
19	93210-10197	O-RING	1	1	1	
20	99530-10114	PIN, DOWEL	1	1	1	
21	95027-06025	BOLT, FLANGE	1	1	1	
22	90450-22017	HOSE CLAMP ASSY	1	1	1	
23	5TA-13465-00	HOSE, OIL 2	1	1	1	
24	90450-22017	HOSE CLAMP ASSY	1	1	1	
25	93210-10197	O-RING	1	1	1	
26	99530-10114	PIN, DOWEL	1	1	1	
27	95027-06025	BOLT, FLANGE	1	1	1	

B10

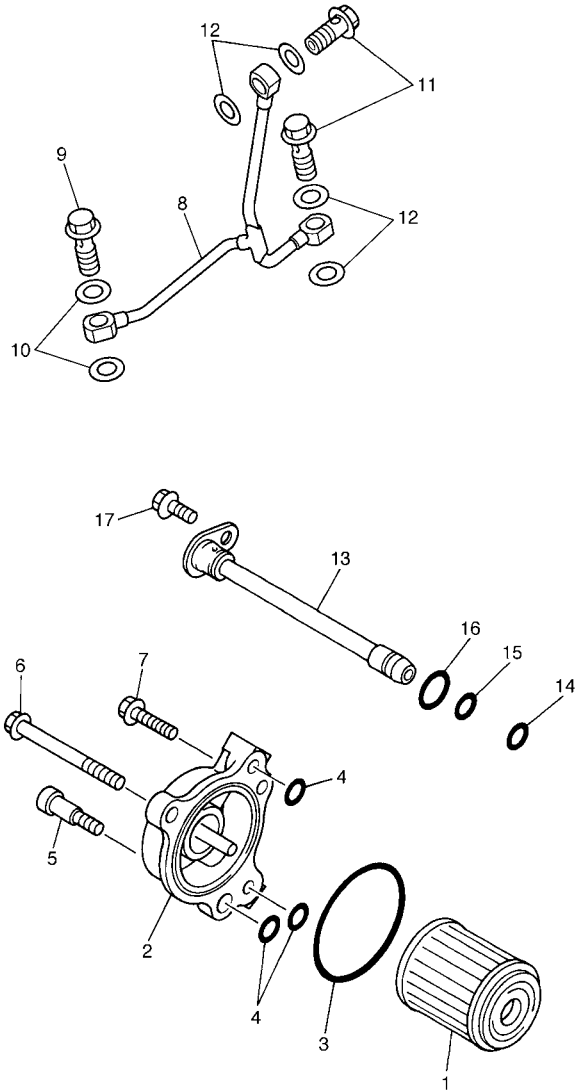


FIG. 8 OIL CLEANER

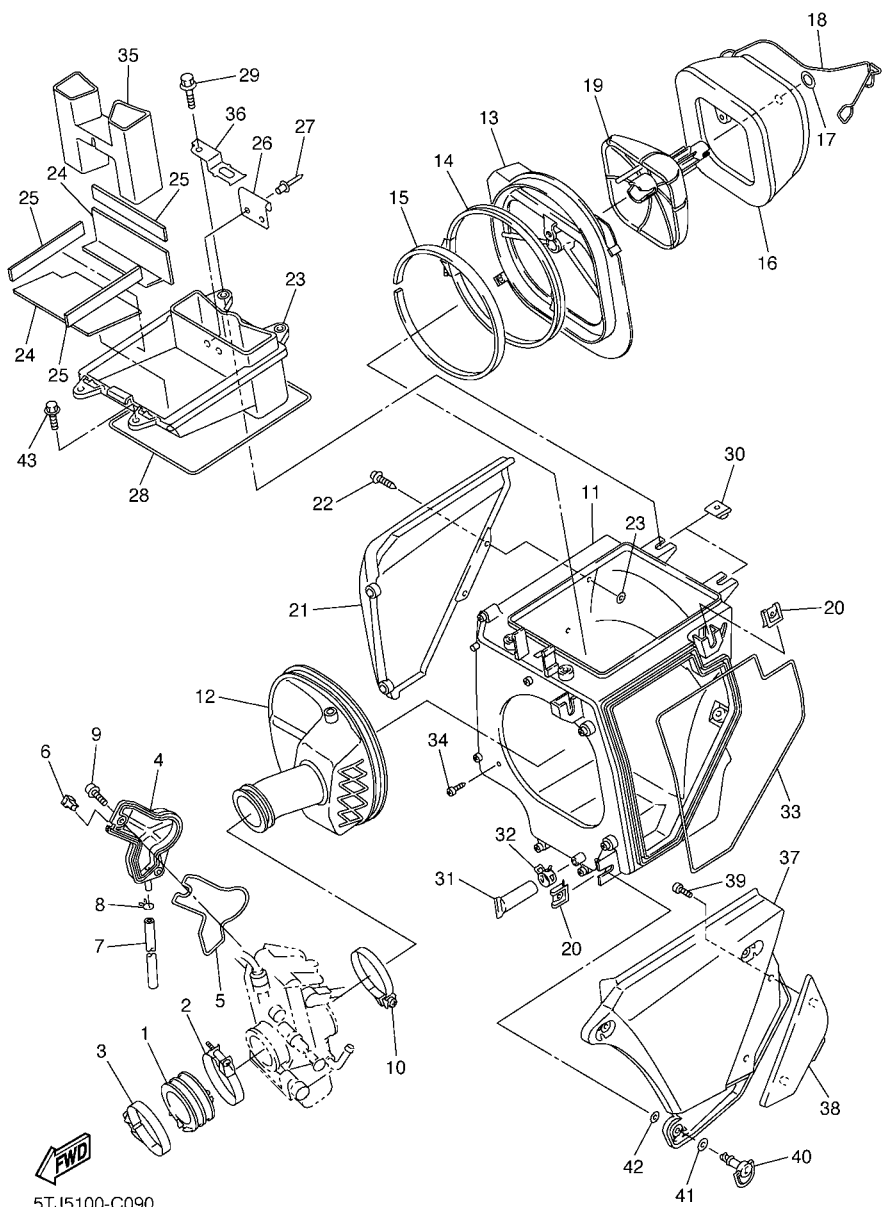
REF. NO.	PART NO.	DESCRIPTION	5TJ5	5TJ6	5TJ7	REMARKS
1	5TA-13440-00	ELEMENT ASSY, OIL CLEANER	1	1	1	
2	5BE-13447-10	COVER, OIL ELEMENT	1	1	1	
3	93210-47675	O-RING	1	1	1	
4	93210-07135	O-RING	3	3	3	
5	90109-065G2	BOLT	1	1	1	
6	95027-06065	BOLT, FLANGE	1	1	1	
7	95027-06020	BOLT, FLANGE	1	1	1	
8	5TG-13161-00	PIPE, DELIVERY 1	1	1	1	
9	90401-10159	BOLT, UNION	1	1	1	
10	90430-10188	GASKET	2	2	2	
11	90401-08038	BOLT, UNION	2	2	2	
12	90430-08119	GASKET	4	4	4	
13	5TA-13171-00	PIPE, DELIVERY 2	1	1	1	
14	93210-07003	O-RING	1	1	1	
15	93210-09008	O-RING	1	1	1	
16	93210-12759	O-RING	1	1	1	
17	95027-06012	BOLT, FLANGE	1	1	1	



5XD1100-C080

FIG. 9 INTAKE

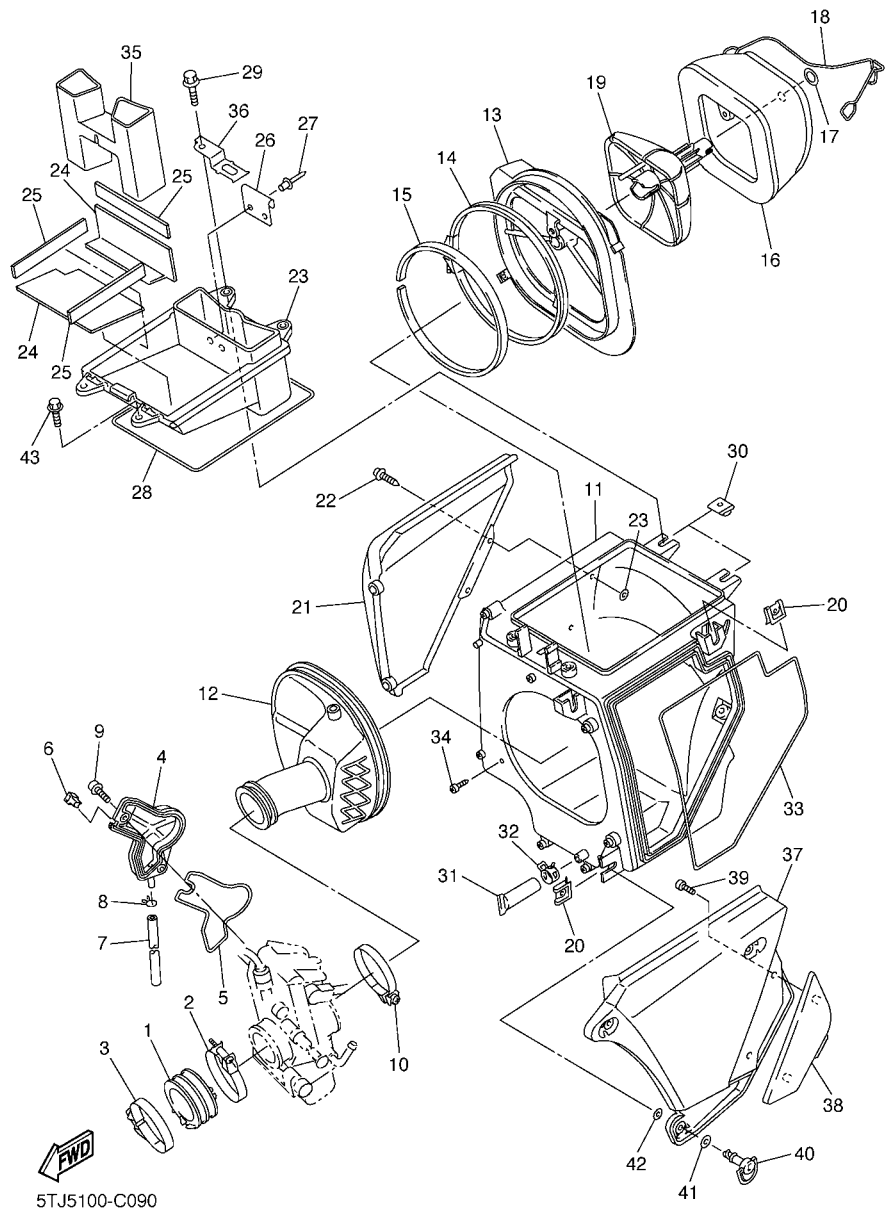
REF. NO.	PART NO.	DESCRIPTION	5TJ5	5TJ6	5TJ7	REMARKS
1	5XD-13597-00	JOINT, CARBURETOR 3	1	1	1	
2	90450-57004	HOSE CLAMP ASSY	1	1	1	
3	90450-59002	HOSE CLAMP ASSY	1	1	1	
4	5TA-14293-00	COVER 1	1	1	1	
5	5TA-14227-00	GASKET	1	1	1	
6	5TA-14239-00	SEAL	1	1	1	
7	5TA-14987-00	HOSE	1	1	1	
8	3TJ-14137-40	CLIP	1	1	1	
9	5TA-14428-00	BOLT	2	2	2	
10	90450-61001	HOSE CLAMP ASSY	1	1	1	
11	5TJ-14401-10	AIR CLEANER CASE ASSY	1	1	1	
12	5TA-14453-00	JOINT, AIR CLEANER 1	1	1	1	
13	5TJ-14459-00	HOLDER, GUIDE	1	1	1	
14	5NY-14455-10	BAND	1	1	1	
15	5NY-14442-00	SPACER	1	1	1	
16	5TJ-14451-00	ELEMENT, AIR CLEANER	1	1	1	
17	5TJ-14475-00	WASHER	1	1	1	
18	5TJ-1441G-00	BINDER 1	1	1	1	
19	5TJ-14458-00	GUIDE	1	1	1	
20	4XV-2177L-00	PLATE, SPRING	3	3	3	
21	5TJ-1441E-10	COVER, CLEANER CASE 2	1	1	1	
22	97707-40016	SCREW, TAPPING	2	2	2	
23	5TJ-14437-10	DUCT	1	1	1	
24	5TJ-14425-10	DAMPER 1	2	2	2	
25	5TJ-14426-00	DAMPER 2	3	3	3	
26	5TJ-14436-00	HOOK	1	1	1	
27	90267-32146	RIVET, BLIND	2	2	2	

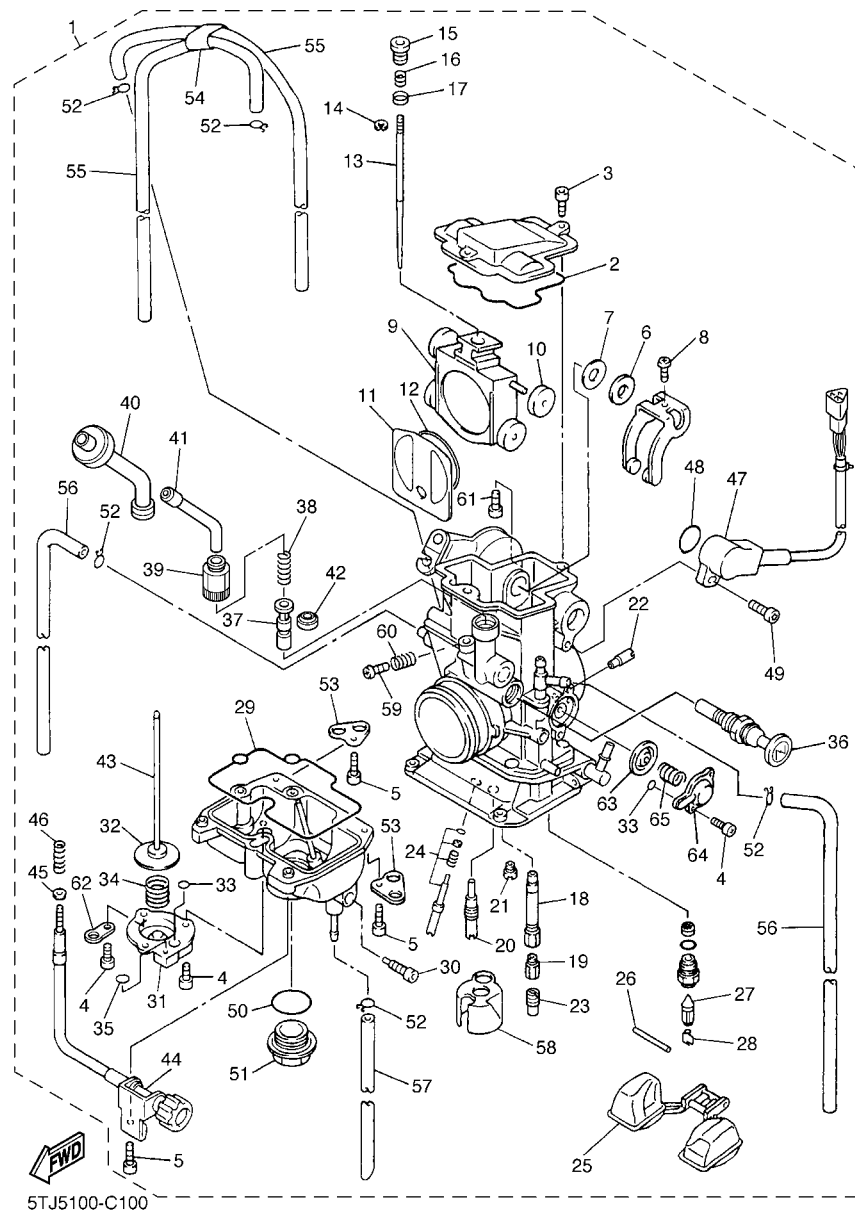


5TJ5100-C090

FIG. 9 INTAKE

REF. NO.	PART NO.	DESCRIPTION				REMARKS
			5TJ5	5TJ6	5TJ7	
28	5TJ-14457-00	SEAL	1	1	1	
29	95027-06020	BOLT, FLANGE	2	2	2	
30	90183-06023	NUT, SPRING	2	2	2	
31	5BF-1443E-00	PIPE, DRAIN	1	1	1	
32	90467-17089	CLIP	1	1	1	
33	5TJ-14462-00	SEAL	1	1	1	
34	97707-50516	SCREW, TAPPING	1	1	1	
35	N/A					
36	5TJ-81953-00	STAY, RELAY	1	1	1	
37	5TJ-1441A-00	COVER, CLEANER CASE 1	1	1	1	
38	5TJ-1442A-00	COVER, CLEANER CASE 3	1	1	1	
39	97707-30512	SCREW, TAPPING	2	2	2	
40	3FV-28386-00	HEAD	3	3	3	
41	2TK-21757-00	WASHER, SPECIAL 1	3	3	3	
42	5TJ-21757-00	WASHER, SPECIAL 1	3	3	3	
43	95827-06016	BOLT, FLANGE	2	2	2	

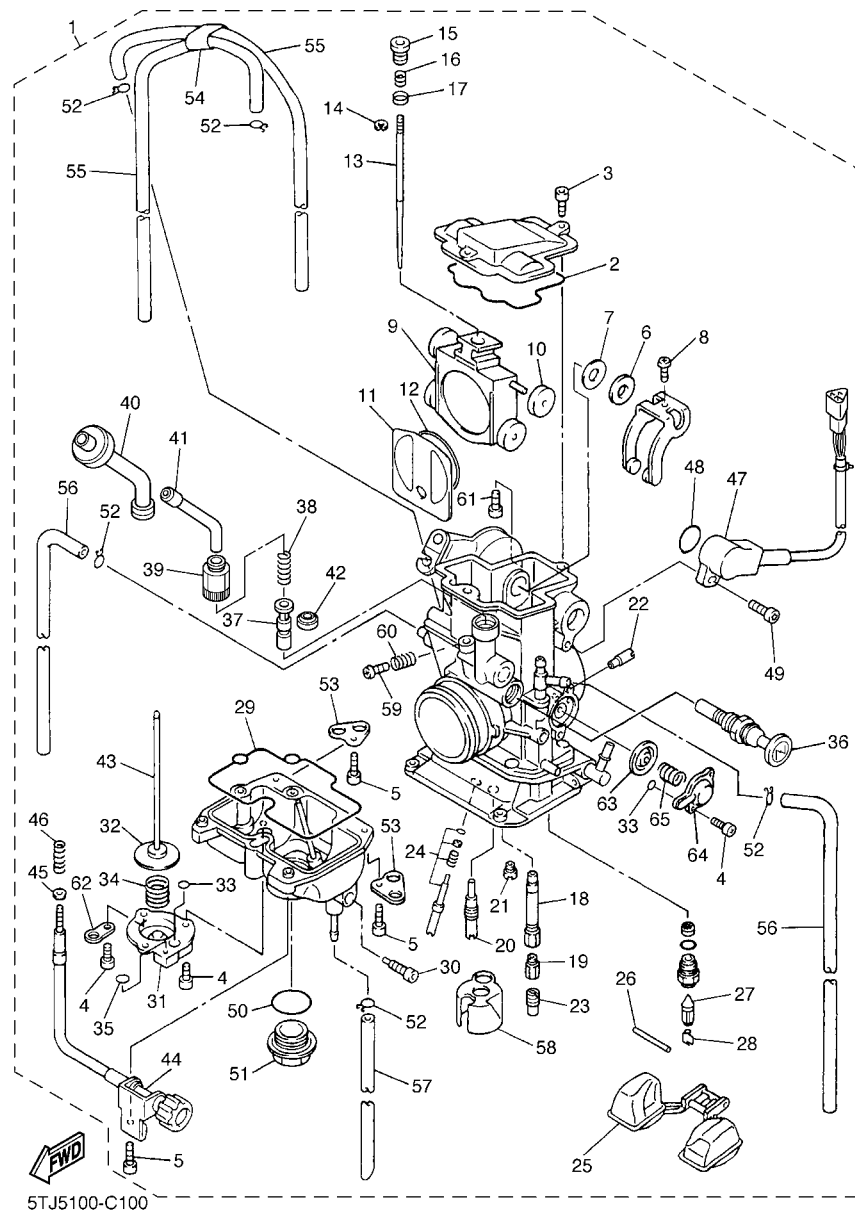




5TJ5100-C100

FIG. 10 CARBURETOR

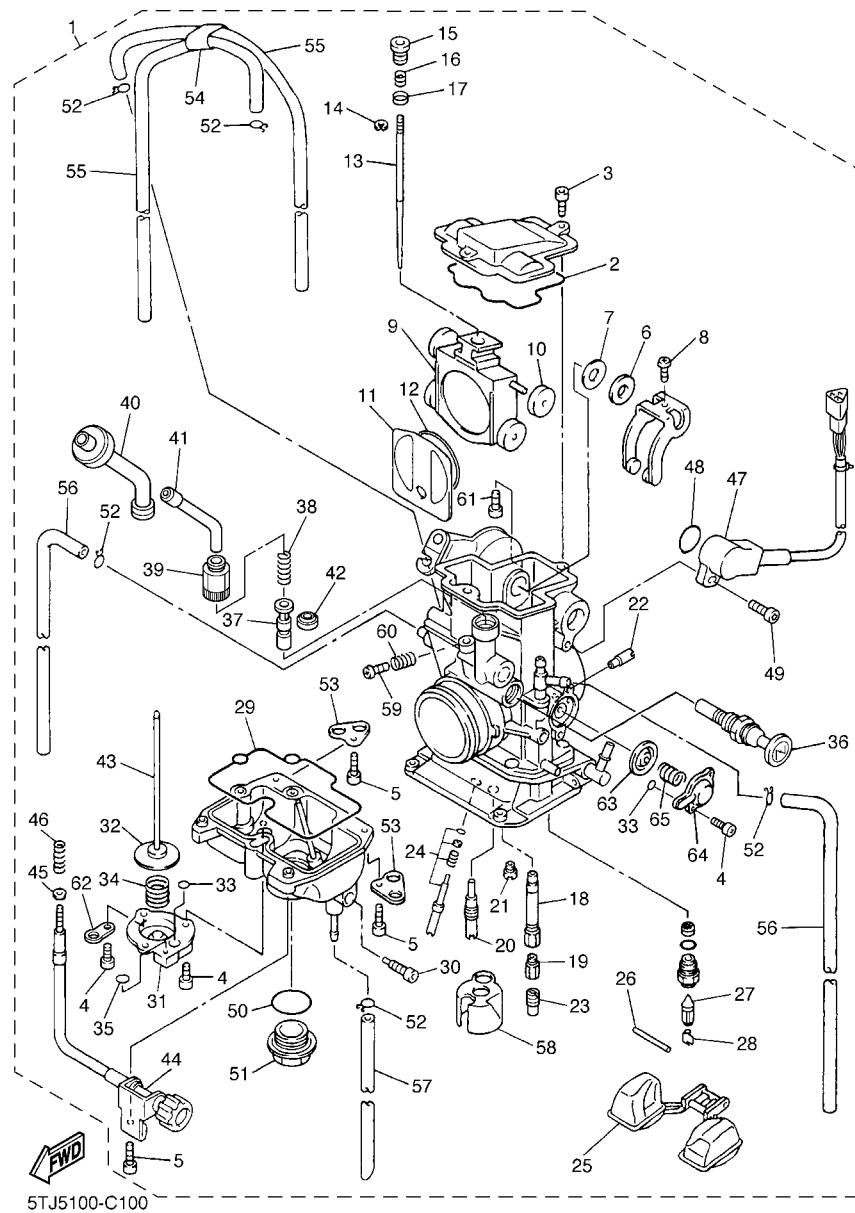
REF. NO.	PART NO.	DESCRIPTION	5TJ5	5TJ6	5TJ7	REMARKS
1	5TJ-14101-10	CARBURETOR ASSY 1			1	
2	5JG-14959-00	.GASKET	1	1	1	
3	91316-04012	.BOLT	2	2	2	
4	688-14592-00	.SCREW	5	5	5	
5	98502-04012	.SCREW, PAN HEAD	4	4	4	
6	90202-08045	.WASHER, PLATE	1	1	1	
7	5JG-14951-00	.WASHER	1	1	1	
8	5JG-14522-00	.SCREW, ADJUST	1	1	1	
9	5JG-14388-00	.VALVE, VACUUM CONTROL	1	1	1	
10	3TJ-14267-40	.ROLLER	1	1	1	
11	5JG-14546-01	.VALVE, NEEDLE	1	1	1	
12	4FN-14997-00	.SEAL	1	1	1	
13	5TJ-14916-D1	.NEEDLE (#DUQ)		1	1	STD
	5TJ-14916-DM	.NEEDLE (#DUM)		1	1	AP
	5TJ-14916-DN	.NEEDLE (#DUN)		1	1	AP
	5TJ-14916-DP	.NEEDLE (#DUP)		1	1	AP
	5TJ-14916-DR	.NEEDLE (#DUR)		1	1	AP
	5TJ-14916-DS	.NEEDLE (#DUS)		1	1	AP
	5TJ-14916-DT	.NEEDLE (#DUT)		1	1	AP



5TJ5100-C100

FIG. 10 CARBURETOR

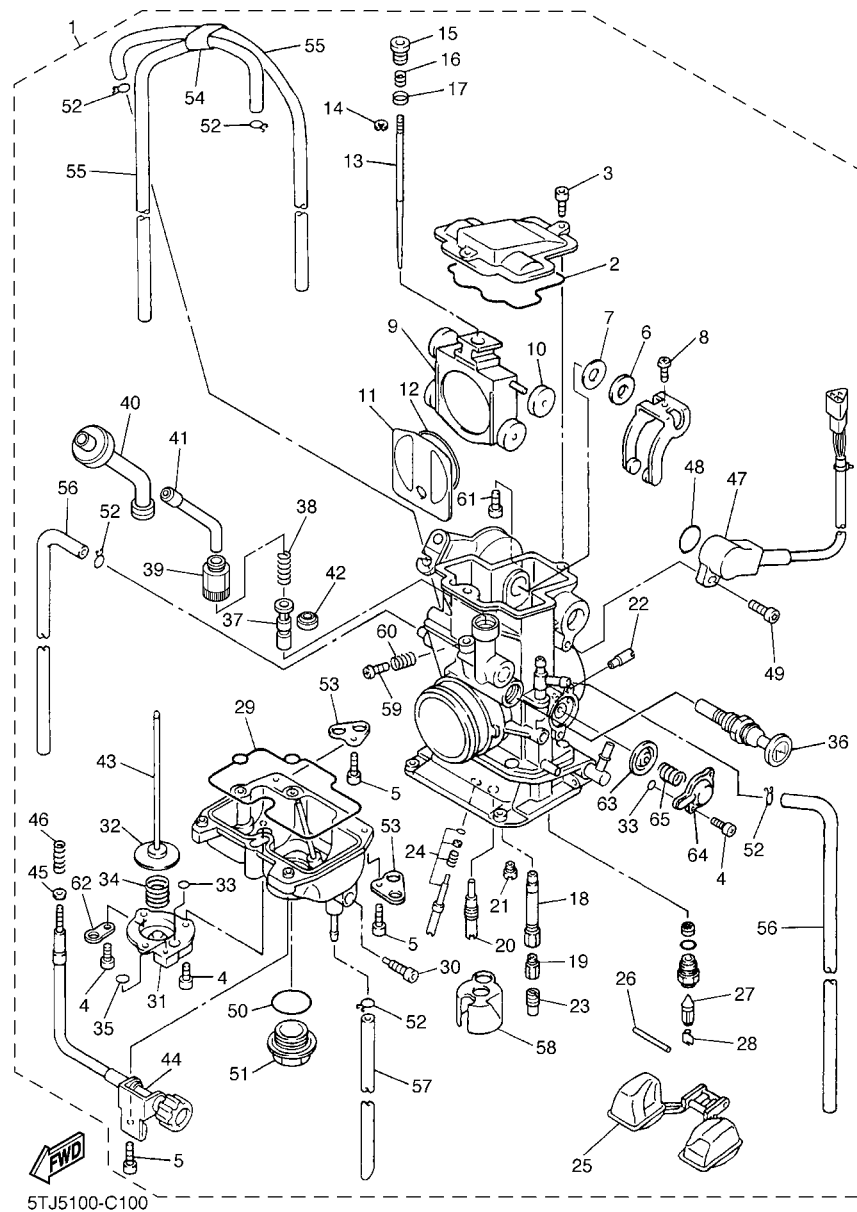
REF. NO.	PART NO.	DESCRIPTION	5TJ5	5TJ6	5TJ7	REMARKS
14	3TJ-14159-40	.CLIP	1	1	1	
15	5JG-14521-00	.SCREW, ADJUST	1	1	1	
16	5JG-14275-00	.SPRING	1	1	1	
17	5JG-14264-00	.COLLAR	1	1	1	
18	5JG-14947-00	.NOZZLE, MAIN	1	1	1	
19	4MX-14943-39	.JET, MAIN (#160)		1	1	STD
	4MX-14943-37	.JET, MAIN (#150)		1	1	AP
	4MX-14943-88	.JET, MAIN (#152)		1	1	AP
	4MX-14943-38	.JET, MAIN (#155)		1	1	AP
	4MX-14943-89	.JET, MAIN (#158)		1	1	AP
	4MX-14943-90	.JET, MAIN (#162)		1	1	AP
	4MX-14943-40	.JET, MAIN (#165)		1	1	AP
	4MX-14943-91	.JET, MAIN (#168)		1	1	AP
	4MX-14943-41	.JET, MAIN (#170)		1	1	AP
	4MX-14943-92	.JET, MAIN (#172)		1		AP
	4MX-14943-42	.JET, MAIN (#175)		1		AP
20	4MX-14948-06	.JET, SLOW (#48)		1	1	STD
	4MX-14948-03	.JET, SLOW (#40)		1		AP
	4MX-14948-04	.JET, SLOW (#42)		1	1	AP
	4MX-14948-05	.JET, SLOW (#45)		1	1	AP
	4MX-14948-07	.JET, SLOW (#50)		1	1	AP
	4MX-14948-08	.JET, SLOW (#52)		1	1	AP
21	3TJ-1494F-13	.JET (#65)		1	1	STD



5TJ5100-C100

FIG. 10 CARBURETOR

REF. NO.	PART NO.	DESCRIPTION	5TJ5	5TJ6	5TJ7	REMARKS
21	3TJ-1494F-10	.JET (#58)	1	1	1	AP
	3TJ-1494F-11	.JET (#60)	1	1	1	AP
	3TJ-1494F-12	.JET (#62)	1	1	1	AP
	3TJ-1494F-14	.JET (#68)	1	1	1	AP
	3TJ-1494F-15	.JET (#70)	1	1	1	AP
22	5TA-14943-19	.JET, MAIN (#80)			1	
23	4JT-1494F-07	.JET (#50)			1	
24	5NL-14105-00	.PILOT SCREW SET	1	1	1	
25	4SR-14985-00	.FLOAT	1	1	1	
26	676-14548-00	.PIN, FLOAT ARM	1	1	1	
27	4MX-14392-00	.VALVE, NEEDLE	1	1	1	
28	633-14159-00	.CLIP	1	1	1	
29	5JG-14984-00	.GASKET, FLOAT CHAMBER	1	1	1	
30	3TJ-14191-40	.PLUG, DRAIN	1	1	1	
31	3TJ-14293-40	.COVER 1	1	1	1	
32	5JG-14940-18	.DIAPHRAGM ASSY	1	1	1	STD
	5JG-14940-17	.DIAPHRAGM ASSY	1	1	1	AP
	5JG-14940-19	.DIAPHRAGM ASSY	1	1	1	AP
33	3TJ-14536-40	.GASKET	2	2	2	
34	5GS-14933-40	.SPRING, DIAPHRAGM	1	1	1	
35	6H4-14561-00	.O-RING	1	1	1	
36	5TA-14171-00	.PLUNGER, STARTER	1	1	1	
37	5TA-14371-00	.PLUNGER, STARTER	1	1	1	
38	5TA-14335-00	.SPRING, PLUNGER	1	1	1	
39	5TA-14991-00	.SCREW	1	1	1	



5TJ5100-C100

FIG. 10 CARBURETOR

REF. NO.	PART NO.	DESCRIPTION	5TJ5	5TJ6	5TJ7	REMARKS
40	5TA-14374-00	.CAP, PLUNGER	1	1	1	
41	5TA-14155-00	.GUIDE, CABLE	1	1	1	
42	5TA-14997-00	.SEAL	1	1	1	
43	5JG-14379-00	.ROD, STARTER	1	1	1	
44	5JG-14922-00	.SCREW, THROTTLE	1	1	1	
45	90201-08410	.WASHER, PLATE	1	1	1	
46	5TA-14934-00	.SPRING, THROTTLE STOP	1	1	1	
47	5TA-85885-00	.THROTTLE SENSOR ASSY	1	1	1	
48	5NX-14562-00	.O-RING	1	1	1	
49	5NX-14216-00	.SCREW	1	1	1	
50	4MX-14561-00	.O-RING	1	1	1	
51	4MX-14115-00	.PLUG, SCREW	1	1	1	
52	3TJ-14137-40	.CLIP	5	5	5	
53	5BE-14146-00	.PLATE	2	2	2	
54	5TA-14261-00	.HOLDER	1	1	1	
55	5TA-14196-00	.PIPE	2	2	2	
56	5TA-14197-00	.PIPE	2	2	2	
57	5TJ-14987-00	.HOSE	1	1	1	
58	5JG-14346-00	.PLATE	1	1	1	
59	5JG-14565-00	.SCREW	1	1	1	
60	5JG-14531-00	.SPRING, ADJUST SCREW	1	1	1	
61	5JG-14591-00	.SCREW			1	
62	5PA-14146-00	.PLATE	1	1	1	
63	5GS-14940-00	.DIAPHRAGM ASSY	1	1	1	
64	5GS-14958-00	.COVER, DIAPHRAGM	1	1	1	
65	5GS-14933-00	.SPRING, DIAPHRAGM	1	1	1	

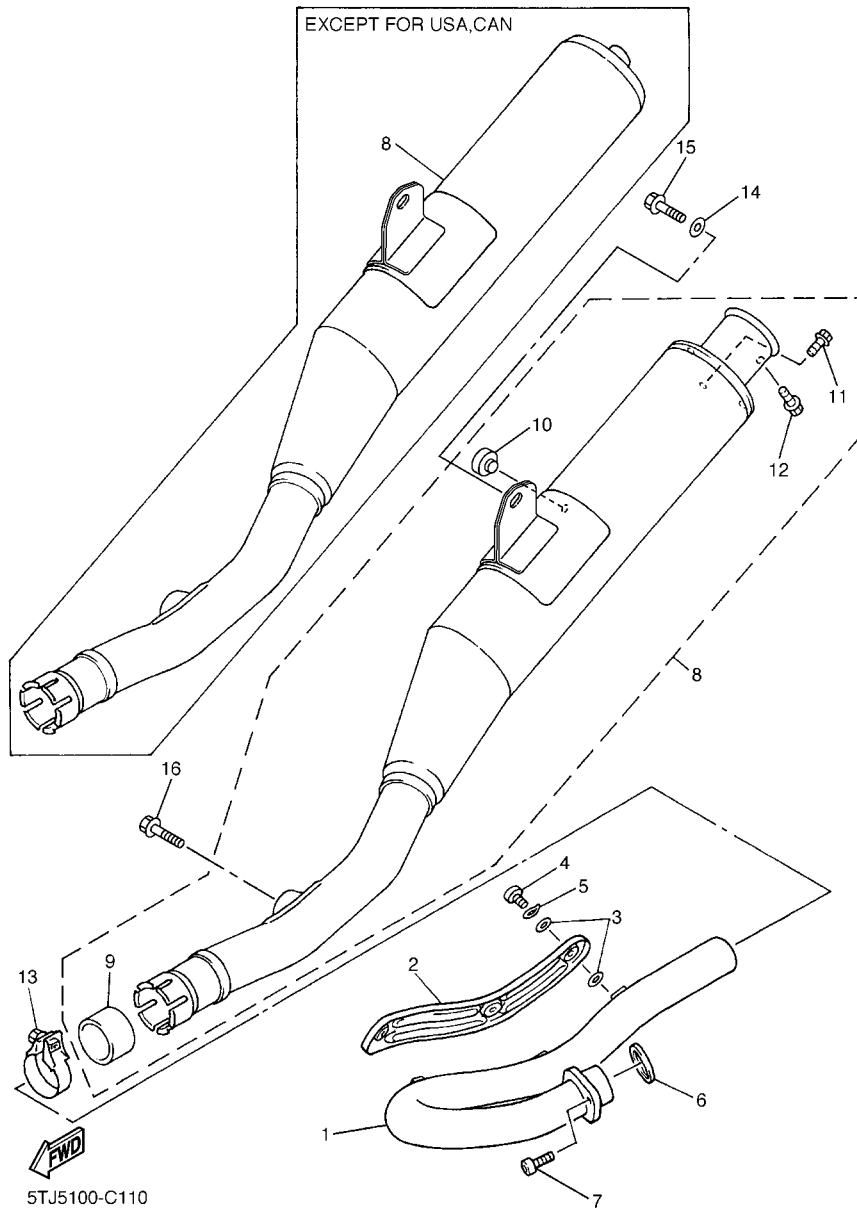
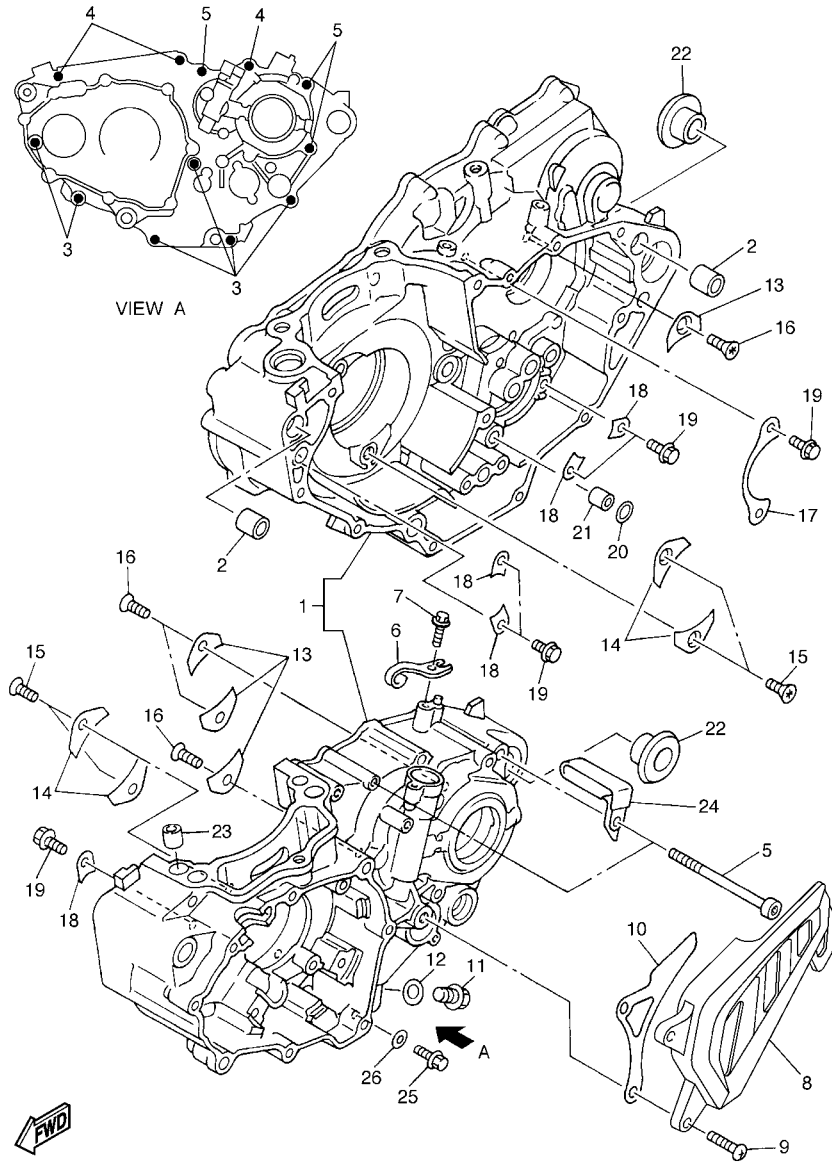


FIG. 11 EXHAUST

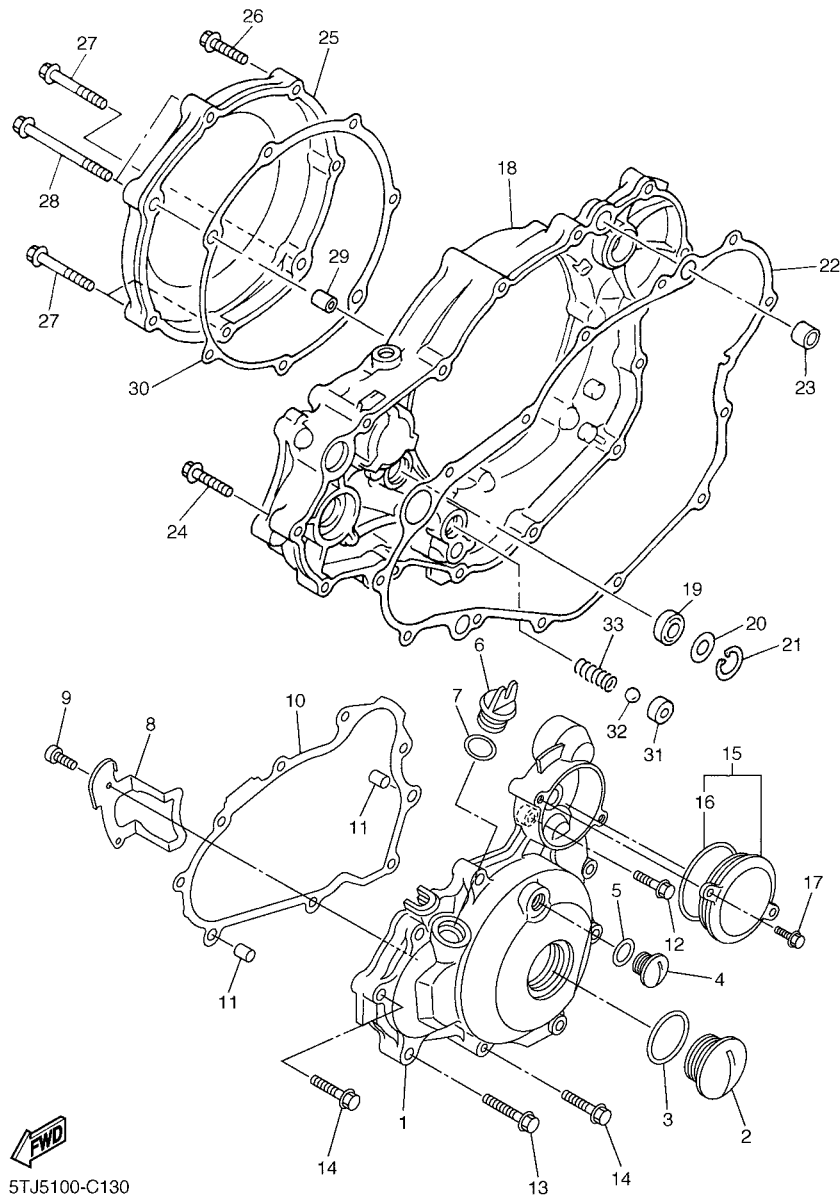
REF. NO.	PART NO.	DESCRIPTION	5TJ5	5TJ6	5TJ7	REMARKS
1	5TA-14611-00	PIPE, EXHAUST 1	1	1	1	
2	5TA-14628-00	PROTECTOR, EXHAUST PIPE	1	1	1	
3	4BD-14766-00	WASHER, PROTECTOR	6	6	6	
4	98980-06008	SCREW, BIND	3	3	3	
5	90206-06090	WASHER, WAVE	3	3	3	
6	3VD-14613-01	GASKET, EXHAUST PIPE	1	1	1	
7	91317-08020	BOLT	1	1	1	
8	5TJ-14710-60	MUFFLER ASSY 1			1	
9	5XD-14714-00	.GASKET, MUFFLER	1	1	1	
10	22W-24181-00	.DAMPER, LOCATING 1	1	1	1	
11	N/A					
12	N/A					
13	5BE-14788-00	BAND, SILENCER	1	1	1	
14	90201-086P8	WASHER, PLATE	1	1	1	
15	95817-08020	BOLT, FLANGE	1	1	1	
16	90105-08057	BOLT, FLANGE	1	1	1	



5TJ5100-C120

FIG. 12 CRANKCASE

REF. NO.	PART NO.	DESCRIPTION	5TJ5	5TJ6	5TJ7	REMARKS
1	5TJ-15150-10	CRANKCASE ASSY	1	1	1	
2	99530-14016	PIN, DOWEL	2	2	2	
3	91317-06050	BOLT	6	6	6	
4	91317-06060	BOLT	3	3	3	
5	91317-06075	BOLT	3	3	3	
6	5TA-15441-01	HOLDER, CLUTCH CABLE	1	1	1	
7	95027-06016	BOLT, FLANGE	1	1	1	
8	5TA-15421-00	COVER, CRANKCASE 2	1	1	1	
9	98507-06025	SCREW, PAN HEAD	2	2	2	
10	5TA-17466-00	GUIDE, CHAIN	1	1	1	
11	95027-10016	BOLT, FLANGE	1	1	1	
12	90430-10188	GASKET	1	1	1	
13	4JT-15381-01	PLATE, BEARING COVER	4	4	4	
14	5BE-15383-01	PLATE, BEARING COVER	4	4	4	
15	90149-06126	SCREW	4	4	4	
16	90149-06326	SCREW	4	4	4	
17	4L0-17471-00	PLATE, COVER	1	1	1	
18	5DH-18562-00	PLATE, STOPPER 2	5	5	5	
19	90105-06553	BOLT, FLANGE	7	7	7	
20	93210-10197	O-RING	1	1	1	
21	99530-10114	PIN, DOWEL	1	1	1	
22	90387-18007	COLLAR	2	2	2	
23	99530-10116	PIN, DOWEL	2	2	2	
24	90461-10136	CLAMP	1	1	1	
25	95024-06010	BOLT, FLANGE	1	1	1	
26	90430-06014	GASKET	1	1	1	

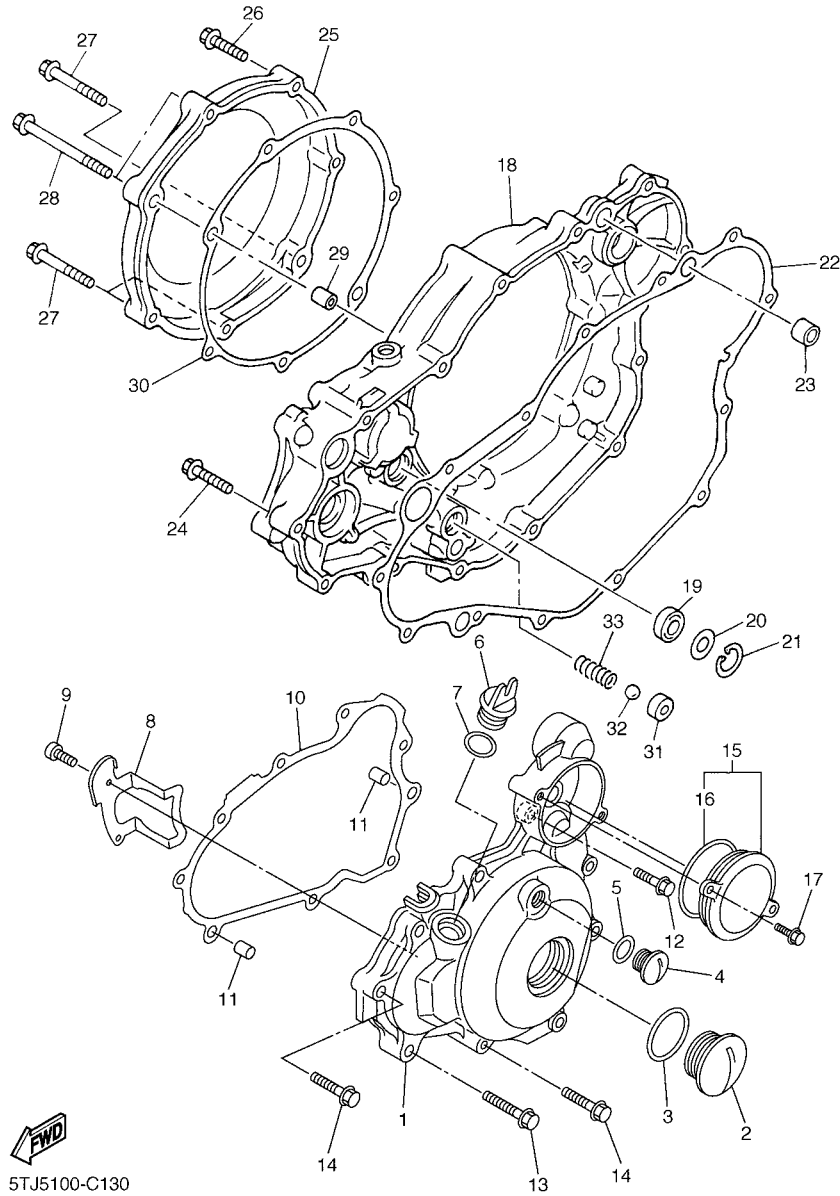


5TJ5100-C130

FIG. 13 CRANKCASE COVER 1

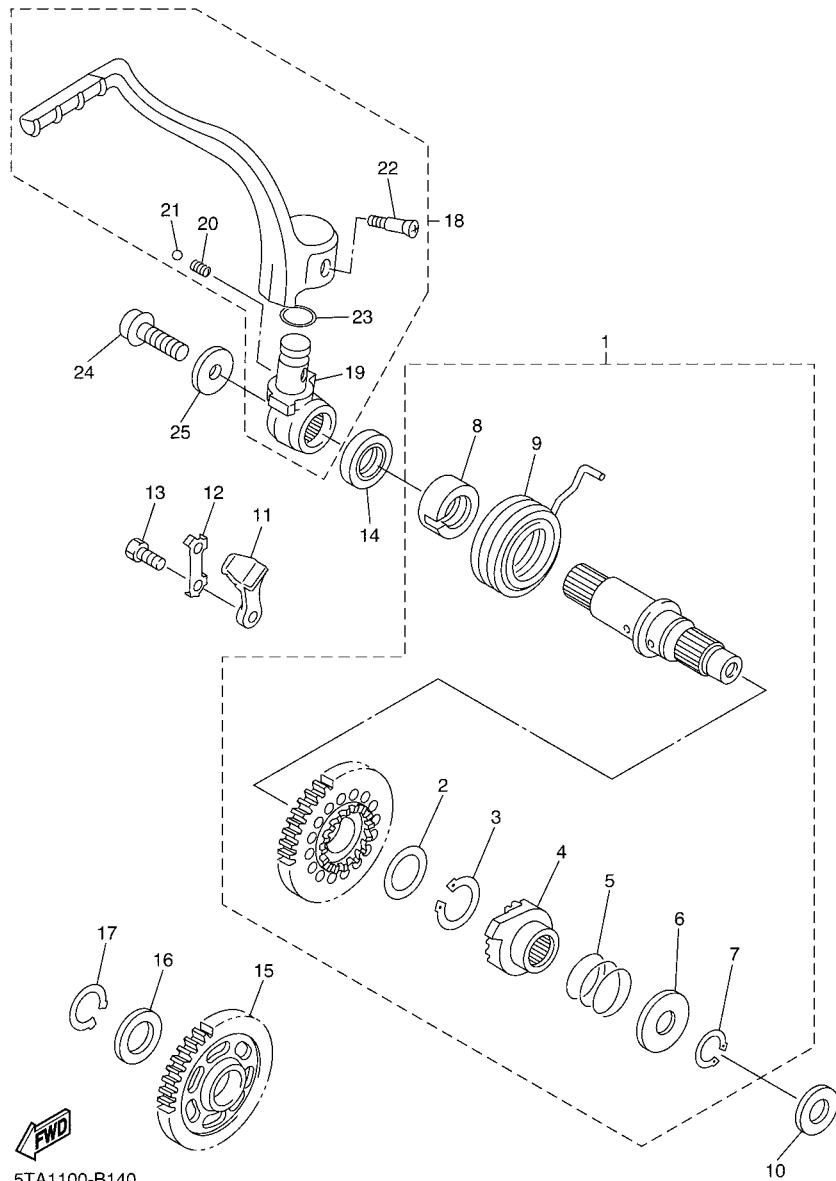
REF. NO.	PART NO.	DESCRIPTION	5TJ5	5TJ6	5TJ7	REMARKS
1	5TJ-15411-10	COVER, CRANKCASE 1	1	1	1	
2	90340-27002	PLUG, STRAIGHT SCREW	1	1	1	
3	93210-27370	O-RING	1	1	1	
4	90340-14128	PLUG, STRAIGHT SCREW	1	1	1	
5	93210-14369	O-RING	1	1	1	
6	3Y1-15363-00	PLUG, OIL	1	1	1	
7	93210-19123	O-RING	1	1	1	
8	90465-10017	CLAMP	1	1	1	
9	91317-05012	BOLT	2	2	2	
10	5TJ-15451-00	GASKET, CRANKCASE COVER 1	1	1	1	
11	99530-08016	PIN, DOWEL	2	2	2	
12	95027-06020	BOLT, FLANGE	1	1	1	
13	95027-06040	BOLT, FLANGE	2	2	2	
14	95027-06030	BOLT, FLANGE	6	6	6	
15	5TJ-1549B-00	COVER ASSY 2	1	1	1	
16	93210-58346	O-RING	1	1	1	
17	95027-06016	BOLT, FLANGE	2	2	2	
18	5XD-15431-00	COVER, CRANKCASE 3	1	1	1	
19	93101-14164	OIL SEAL	1	1	1	
20	90201-15701	WASHER, PLATE (T=1.0)	1	1	1	
21	99009-22500	CIRCLIP	1	1	1	
22	5TA-15462-00	GASKET, CRANKCASE COVER 3	1	1	1	
23	91812-16001	PIN, DOWEL	2	2	2	
24	95027-06030	BOLT, FLANGE	10	10	10	
25	5TA-15415-01	COVER, GENERATOR	1	1	1	
26	95027-06030	BOLT, FLANGE	2	2	2	
27	95027-06040	BOLT, FLANGE	3	3	3	

FIG. 13 CRANKCASE COVER 1



 5TJ5100-C130

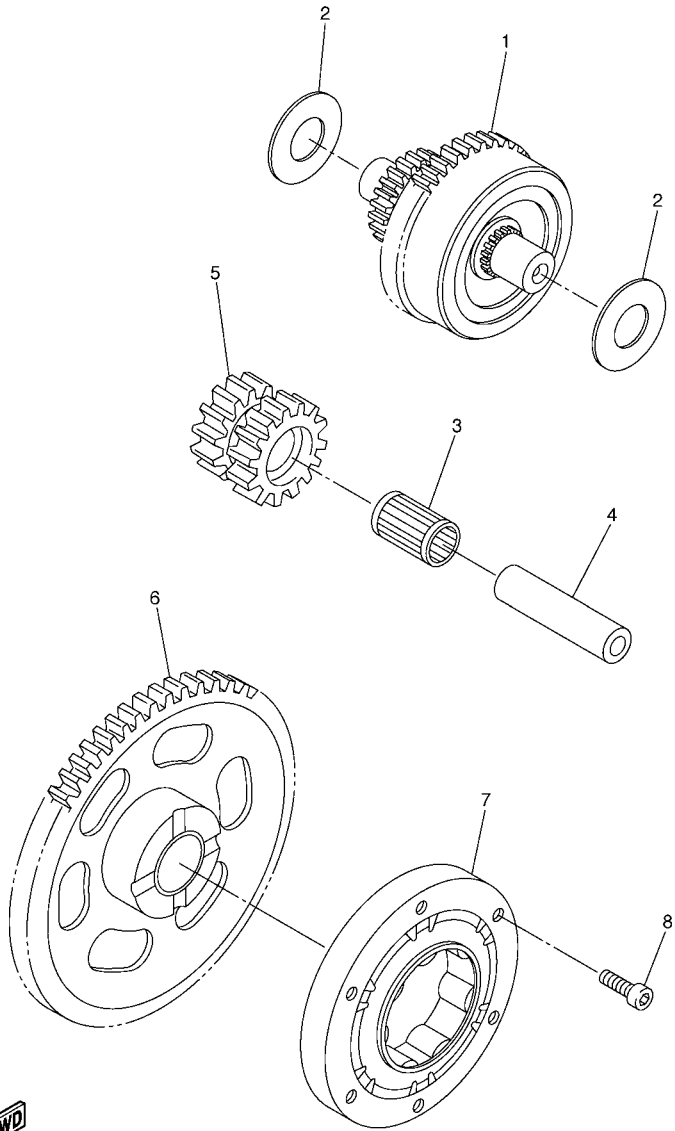
REF. NO.	PART NO.	DESCRIPTION	5TJ5	5TJ6	5TJ7	REMARKS
28	95027-06080	BOLT, FLANGE	2	2	2	
29	99530-08016	PIN, DOWEL	2	2	2	
30	5TA-15453-00	GASKET	1	1	1	
31	583-13113-00	SEAT, CHECK BALL	1	1	1	
32	93503-08007	BALL	1	1	1	
33	90501-043E0	SPRING, COMPRESSION	1	1	1	



5TA1100-B140

FIG. 14 STARTER

REF. NO.	PART NO.	DESCRIPTION	5TJ5	5TJ6	5TJ7	REMARKS
1	5XD-15601-00	KICK SHAFT ASSY	1	1	1	
2	90201-20685	.WASHER, PLATE (T=0.5)	1	1	1	
3	93410-20038	.CIRCLIP	1	1	1	
4	4GY-15671-00	.WHEEL, RATCHET	1	1	1	
5	90501-16016	.SPRING, COMPRESSION	1	1	1	
6	90201-167P7	.WASHER, PLATE	1	1	1	
7	99009-16400	.CIRCLIP	1	1	1	
8	5GR-15664-00	.GUIDE, SPRING	1	1	1	
9	90508-305B0	.SPRING, TORSION	1	1	1	
10	90201-162H4	WASHER, PLATE	1	1	1	
11	5SG-15668-00	STOPPER	1	1	1	
12	214-15686-00	WASHER, LOCK	1	1	1	
13	90101-06001	BOLT	2	2	2	
14	93102-20108	OIL SEAL	1	1	1	
15	5TA-15651-00	GEAR, KICK IDLE	1	1	1	
16	90201-20276	WASHER, PLATE (T=1.0)	1	1	1	
17	99009-20400	CIRCLIP	1	1	1	
18	5XD-15620-00	KICK CRANK ASSY	1	1	1	
19	5XD-15621-00	.BOSS, KICK CRANK	1	1	1	
20	90501-147A5	.SPRING, COMPRESSION	1	1	1	
21	93507-32009	.BALL	1	1	1	
22	90152-06010	.SCREW, COUNTERSUNK	1	1	1	
23	93210-17570	.O-RING	1	1	1	
24	90110-08035	BOLT, HEXAGON SOCKET HEAD	1	1	1	
25	90201-087A9	WASHER, PLATE	1	1	1	

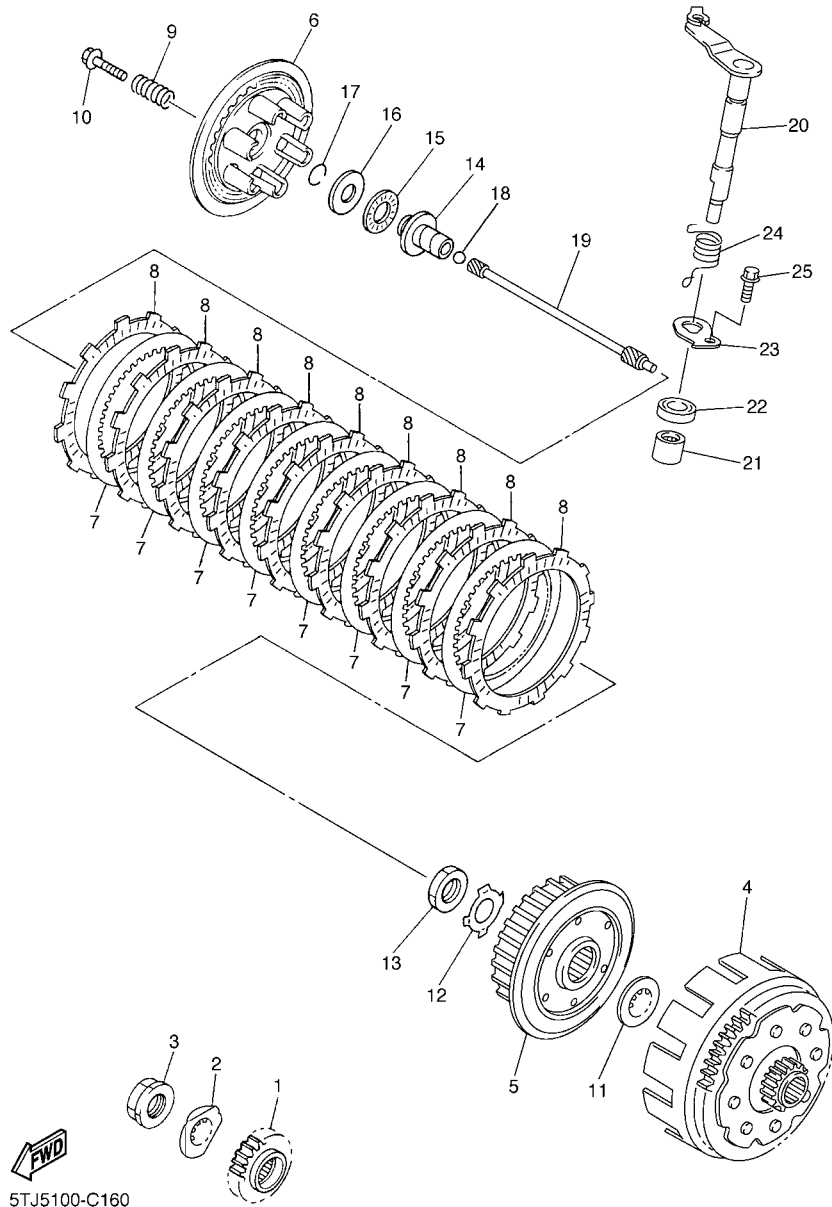


5TJ5100-C150

FIG. 15 STARTER CLUTCH

REF. NO.	PART NO.	DESCRIPTION	5TJ5	5TJ6	5TJ7	REMARKS
1	5TJ-15560-00	DAMPER ASSY	1	1	1	
2	90201-105A8	WASHER, PLATE	2	2	2	
3	93310-212R6	BEARING	1	1	1	
4	4GY-15521-00	SHAFT 1	1	1	1	
5	5TJ-15517-00	GEAR, IDLER 2	1	1	1	
6	5TG-15515-01	GEAR 3	1	1	1	
7	5TJ-15590-00	STARTER ONE-WAY ASSY	1	1	1	
8	90110-06004	BOLT, HEXAGON SOCKET HEAD	6	6	6	

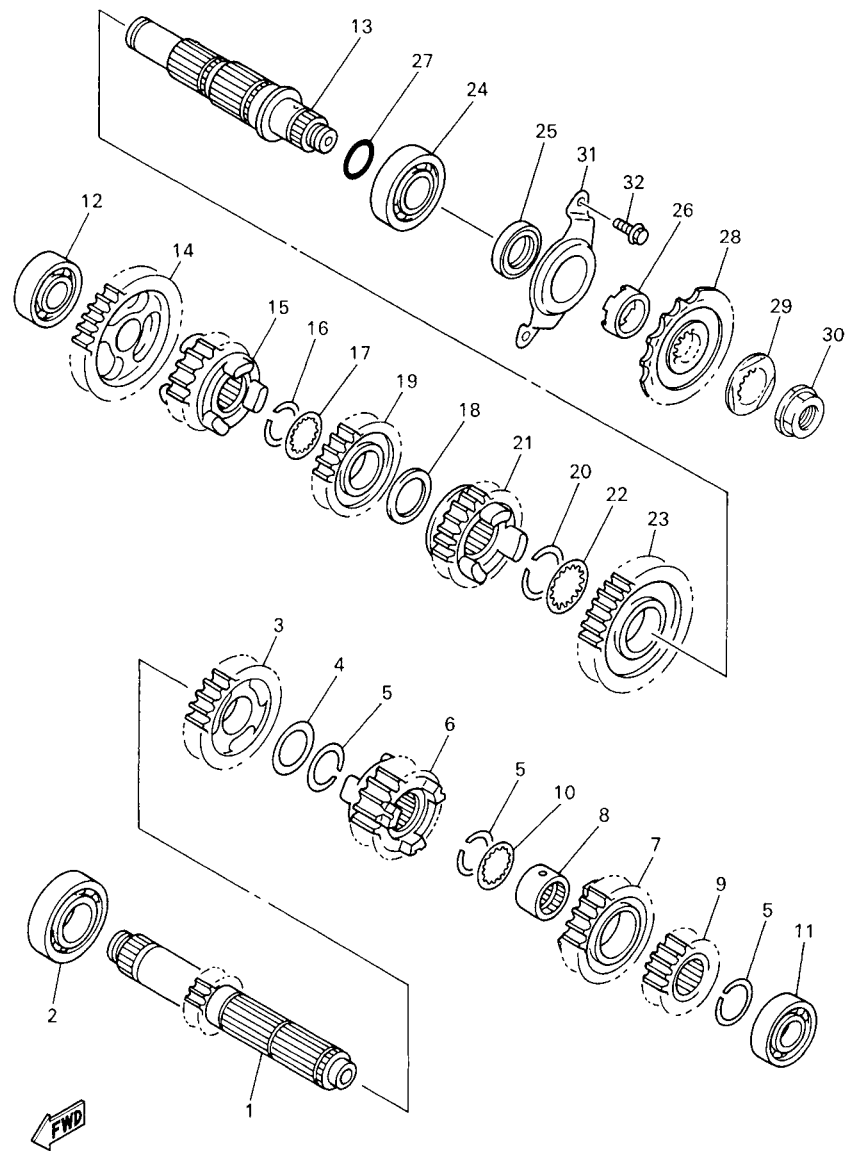
FIG. 16 CLUTCH



5TJ5100-C160

REF. NO.	PART NO.	DESCRIPTION	5TJ5	5TJ6	5TJ7	REMARKS
1	5TA-16111-00	GEAR, PRIMARY DRIVE	1	1	1	
2	90215-21003	WASHER, LOCK	1	1	1	
3	90179-20001	NUT	1	1	1	
4	5XD-16150-10	PRIMARY DRIVEN GEAR COMP.	1	1	1	
5	5TA-16371-02	BOSS, CLUTCH	1	1	1	
6	5JG-16351-00	PLATE, PRESSED 1	1	1	1	
7	5JG-16325-00	PLATE, CLUTCH 2	8	8	8	
8	5TA-16321-00	PLATE, FRICTION	9	9	9	
9	90501-22003	SPRING, COMPRESSION	6	6	6	
10	90159-06092	SCREW, WITH WASHER	6	6	6	
11	5XD-16154-00	PLATE, THRUST 1	1	1	1	
12	90215-20231	WASHER, LOCK	1	1	1	
13	90170-20327	NUT	1	1	1	
14	5JG-16356-00	ROD, PUSH 1	1	1	1	
15	93340-21505	BEARING	1	1	1	
16	90201-125L6	WASHER, PLATE	1	1	1	
17	93440-10085	CIRCLIP	1	1	1	
18	93511-32027	BALL	1	1	1	
19	5TA-16357-00	ROD, PUSH 2	1	1	1	
20	5TA-16381-00	PUSH LEVER COMP.	1	1	1	
21	93317-11287	BEARING	1	1	1	
22	93102-12224	OIL SEAL	1	1	1	
23	5TA-16384-01	PLATE, SEAT	1	1	1	
24	90508-14020	SPRING, TORSION	1	1	1	
25	95027-06012	BOLT, FLANGE	1	1	1	

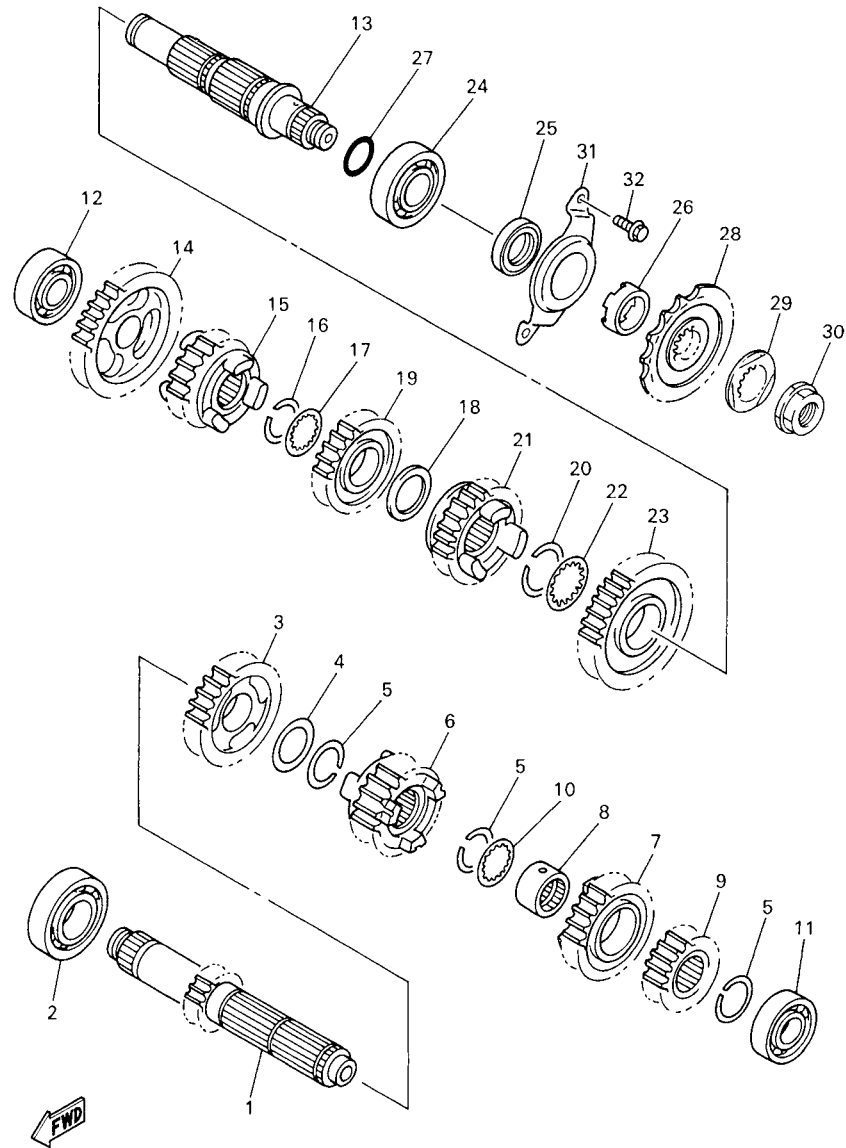
C10



5GS5100-0160

FIG. 17 TRANSMISSION

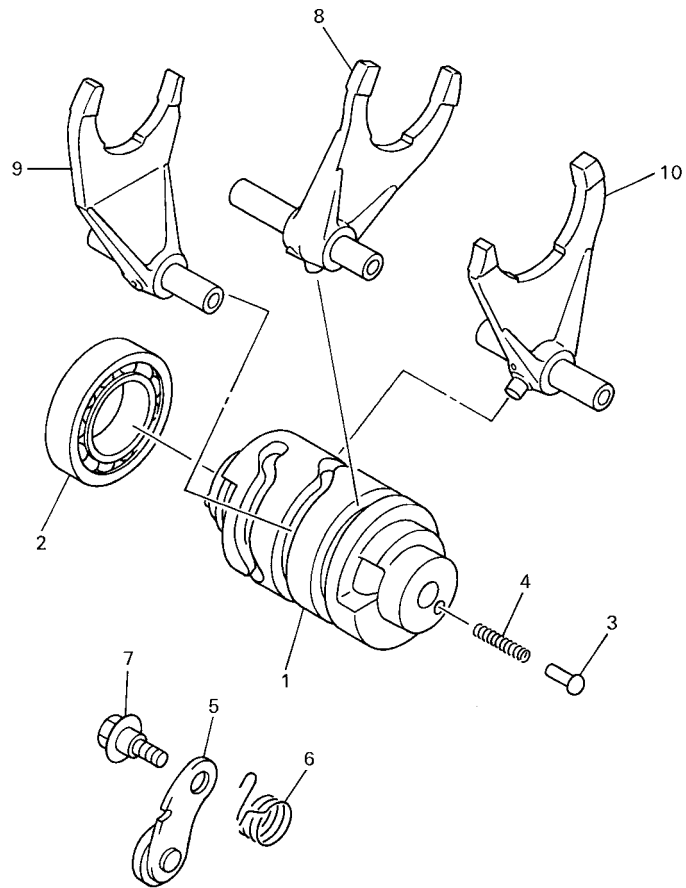
REF. NO.	PART NO.	DESCRIPTION	5TJ5	5TJ6	5TJ7	REMARKS
1	5TJ-17411-00	AXLE, MAIN (12T)	1	1	1	
2	93306-20532	BEARING	1	1	1	
3	5TJ-17151-00	GEAR, 5TH PINION (25T)	1	1	1	
4	90201-253K0	WASHER, PLATE (T=1.0)	1	1	1	
5	93440-25084	CIRCLIP	3	3	3	
6	5TJ-17131-00	GEAR, 3RD PINION (16T)	1	1	1	
7	5TJ-17141-10	GEAR, 4TH PINION (20T)	1	1	1	
8	90387-2113G	COLLAR	1	1	1	
9	5BF-17121-00	GEAR, 2ND PINION (15T)	1	1	1	
10	90209-21332	WASHER	1	1	1	
11	93306-00431	BEARING	1	1	1	
12	93306-00426	BEARING	1	1	1	
13	5BE-17402-00	DRIVE AXLE ASSY	1	1	1	
14	5BF-17211-00	GEAR, 1ST WHEEL (29T)	1	1	1	
15	5BF-17251-00	GEAR, 5TH WHEEL (21T)	1	1	1	
16	93440-25084	CIRCLIP	1	1	1	
17	90209-21332	WASHER	1	1	1	
18	90201-253K0	WASHER, PLATE (T=1.0)	1	1	1	
19	5TJ-17231-00	GEAR, 3RD WHEEL (21T)	1	1	1	
20	93440-28062	CIRCLIP	1	1	1	
21	5TJ-17241-10	GEAR, 4TH WHEEL (21T)	1	1	1	
22	90209-26348	WASHER	1	1	1	
23	5TJ-17221-00	GEAR, 2ND WHEEL (26T)	1	1	1	
24	93306-20593	BEARING	1	1	1	
25	93102-32480	OIL SEAL	1	1	1	
26	90387-2513F	COLLAR	1	1	1	
27	93210-22164	O-RING	1	1	1	



5GS5100-0160

FIG. 17 TRANSMISSION

REF. NO.	PART NO.	DESCRIPTION	5TJ5	5TJ6	5TJ7	REMARKS
28	9383E-14215	SPROCKET, DRIVE (14T)		1	1	STD
	9383E-15082	SPROCKET,DRIVE (15T)			1	AP
29	90215-21003	WASHER, LOCK	1	1	1	
30	90179-20001	NUT	1	1	1	
31	5GR-17471-00	PLATE, COVER	1	1	1	
32	90105-06553	BOLT, FLANGE	2	2	2	



5BE100-8170

FIG. 18 SHIFT CAM & FORK

REF. NO.	PART NO.	DESCRIPTION	5TJ5	5TJ6	5TJ7	REMARKS
1	5NL-18541-00	CAM, SHIFT	1	1	1	
2	93306-90501	BEARING	1	1	1	
3	278-18542-00	POINT, NEUTRAL	1	1	1	
4	90501-06022	SPRING, COMPRESSION	1	1	1	
5	3XK-18140-00	STOPPER LEVER ASSY	1	1	1	
6	90508-26561	SPRING, TORSION	1	1	1	
7	90109-063F8	BOLT	1	1	1	
8	5BE-18501-00	FORK, SHIFT 1	1	1	1	
9	5BE-18502-10	FORK, SHIFT 2	1	1	1	
10	5BE-18503-00	FORK, SHIFT 3	1	1	1	

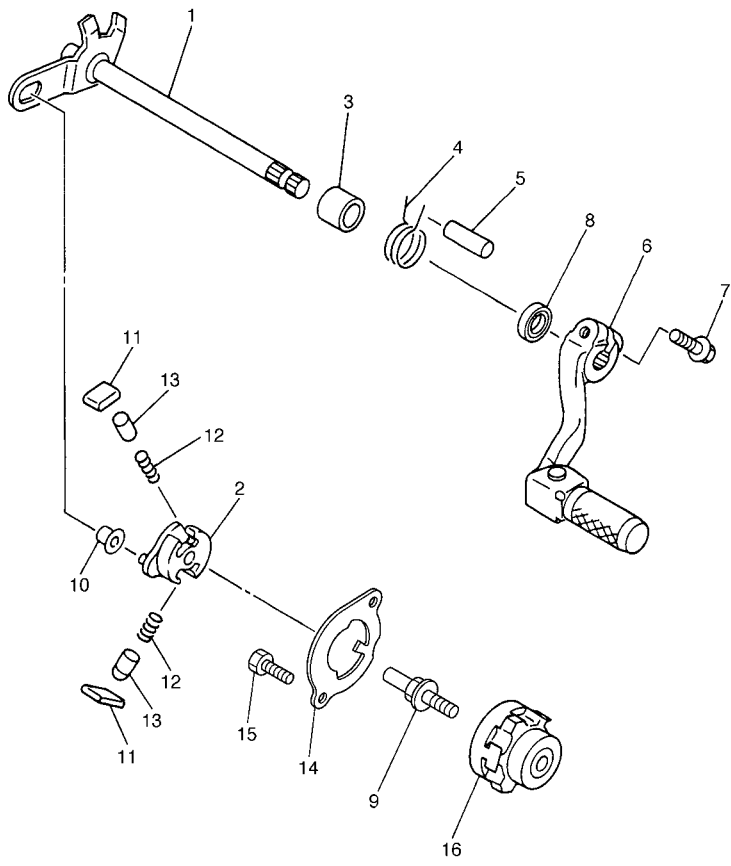
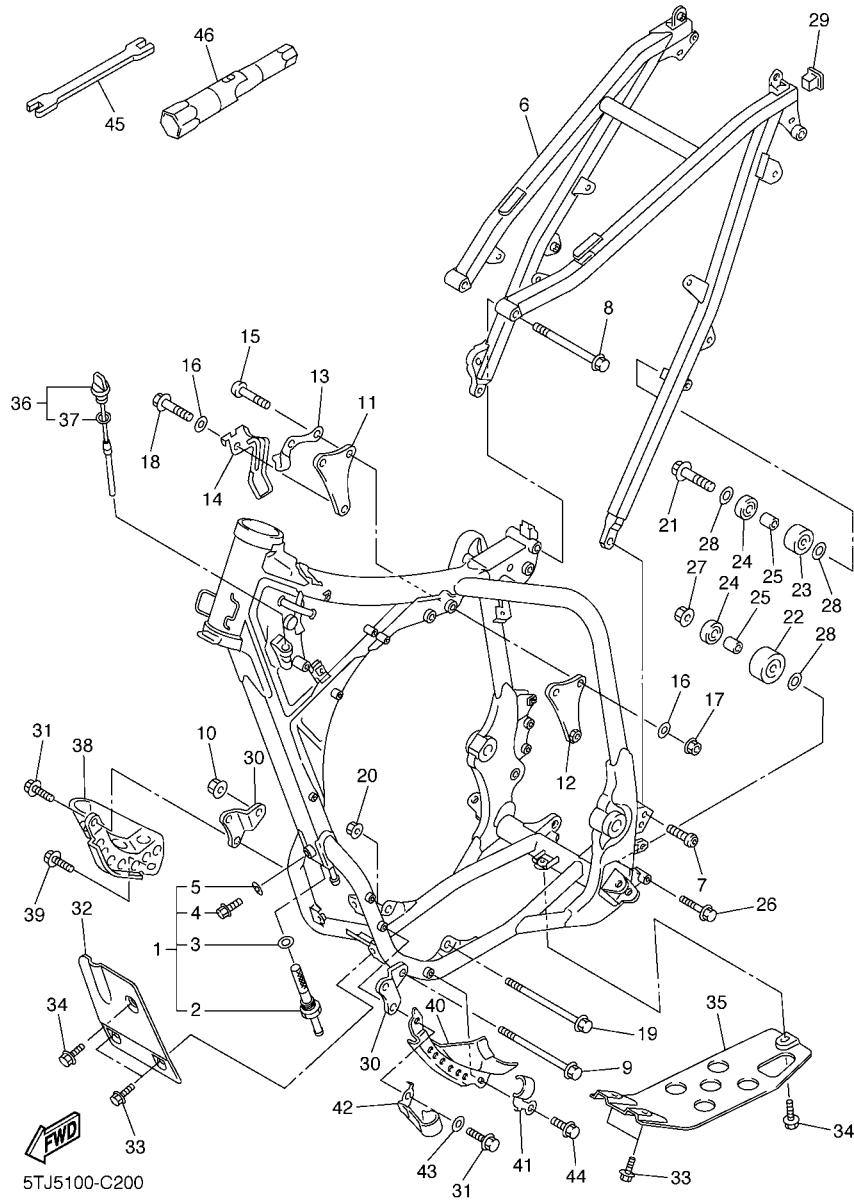


FIG. 19 SHIFT SHAFT

REF. NO.	PART NO.	DESCRIPTION	5TJ5	5TJ6	5TJ7	REMARKS
1	5TJ-18101-00	SHIFT SHAFT ASSY	1	1	1	
2	5MW-18122-00	LEVER, SHIFT 2	1	1	1	
3	90387-124F4	COLLAR	1	1	1	
4	90508-291A8	SPRING, TORSION	1	1	1	
5	93608-33002	PIN, DOWEL	1	1	1	
6	5UL-18110-00	SHIFT PEDAL ASSY	1	1	1	
7	95027-06020	BOLT, FLANGE	1	1	1	
8	93102-12224	OIL SEAL	1	1	1	
9	3XJ-18173-00	PIN, SHIFT	1	1	1	
10	3XJ-18178-00	ROLLER, SHIFT LEVER	1	1	1	
11	3XJ-18182-00	PAWL, SHIFTER	2	2	2	
12	90501-052G5	SPRING, COMPRESSION	2	2	2	
13	3XJ-18184-00	PIN, PAWL	2	2	2	
14	5TJ-18172-00	GUIDE, SHIFT	1	1	1	
15	90101-06664	BOLT	2	2	2	
16	4EW-18185-00	SEGMENT	1	1	1	



5TJ5100-C190



5TJ5100-C200

FIG. 20 FRAME

REF. NO.	PART NO.	DESCRIPTION	5TJ5	5TJ6	5TJ7	REMARKS
1	5TJ-21101-50	FRONT FRAME COMP.	1	1	1	
2	5TA-21756-00	.NET, FILTER	1	1	1	
3	90201-145M4	.WASHER, PLATE	1	1	1	
4	95827-08012	.BOLT, FLANGE	1	1	1	
5	90430-08119	.GASKET	1	1	1	
6	5TJ-21190-50	REAR FRAME COMP.	1	1	1	
7	90110-08096	BOLT, HEXAGON SOCKET HEAD	2	2	2	
8	90105-08120	BOLT, FLANGE	1	1	1	
9	90105-10099	BOLT, FLANGE	1	1	1	
10	90179-10658	NUT	1	1	1	
11	5XD-21425-00	BRACKET, REAR UPPER 1	1	1	1	
12	5XD-21425-10	BRACKET, REAR UPPER 1	1	1	1	
13	5TA-21161-00	HOLDER, CABLE	1	1	1	
14	5TJ-21335-00	CLAMP, WIRE HARNESS 1	1	1	1	
15	92017-10060	BOLT, BUTTON HEAD	2	2	2	
16	90201-104R2	WASHER, PLATE	3	3	3	
17	90179-10658	NUT	2	2	2	
18	95817-10055	BOLT, FLANGE	1	1	1	
19	90105-10733	BOLT, FLANGE	1	1	1	
20	90179-10658	NUT	1	1	1	
21	95027-08040	BOLT, FLANGE	1	1	1	
22	3JD-22178-10	TENSIONER	1	1	1	
23	4EW-22178-01	TENSIONER	1	1	1	
24	93300-60804	BEARING	2	2	2	
25	90387-086N4	COLLAR	2	2	2	
26	95027-08065	BOLT, FLANGE	1	1	1	
27	95707-08500	NUT, FLANGE	1	1	1	

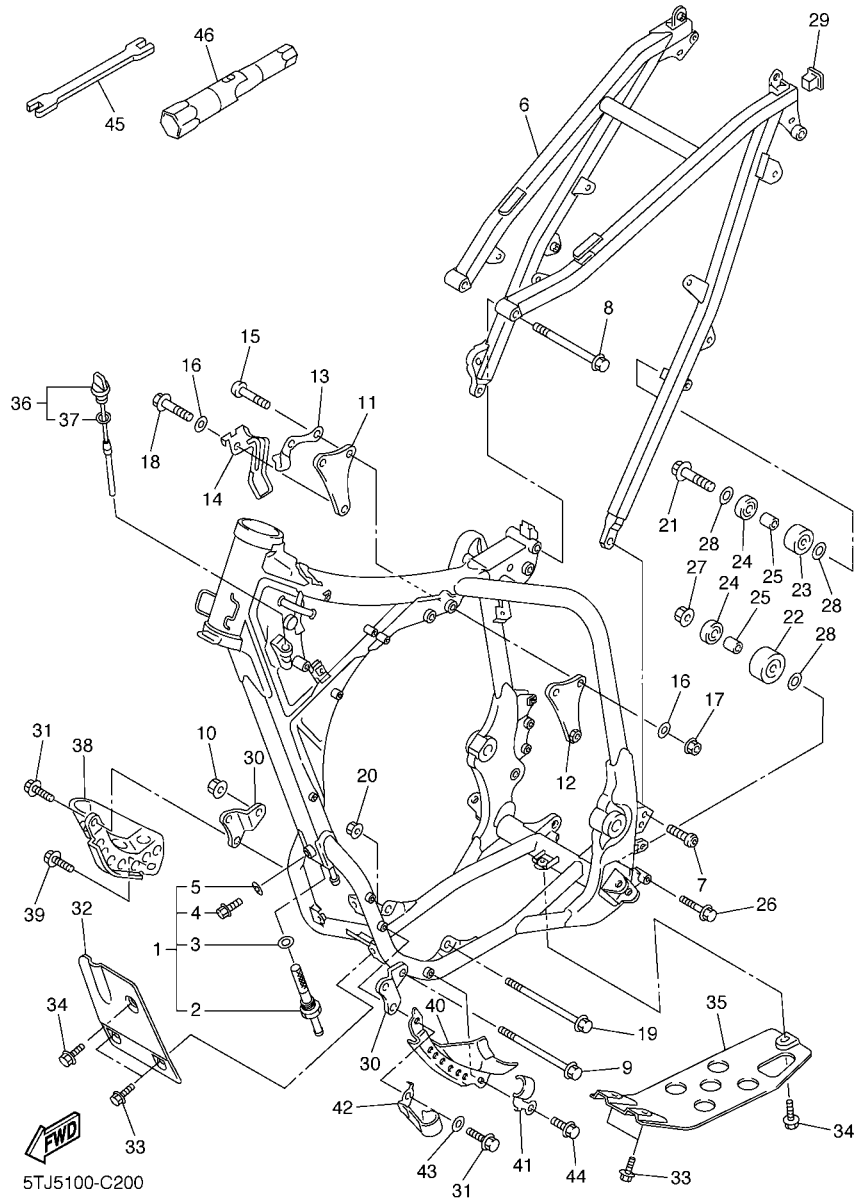
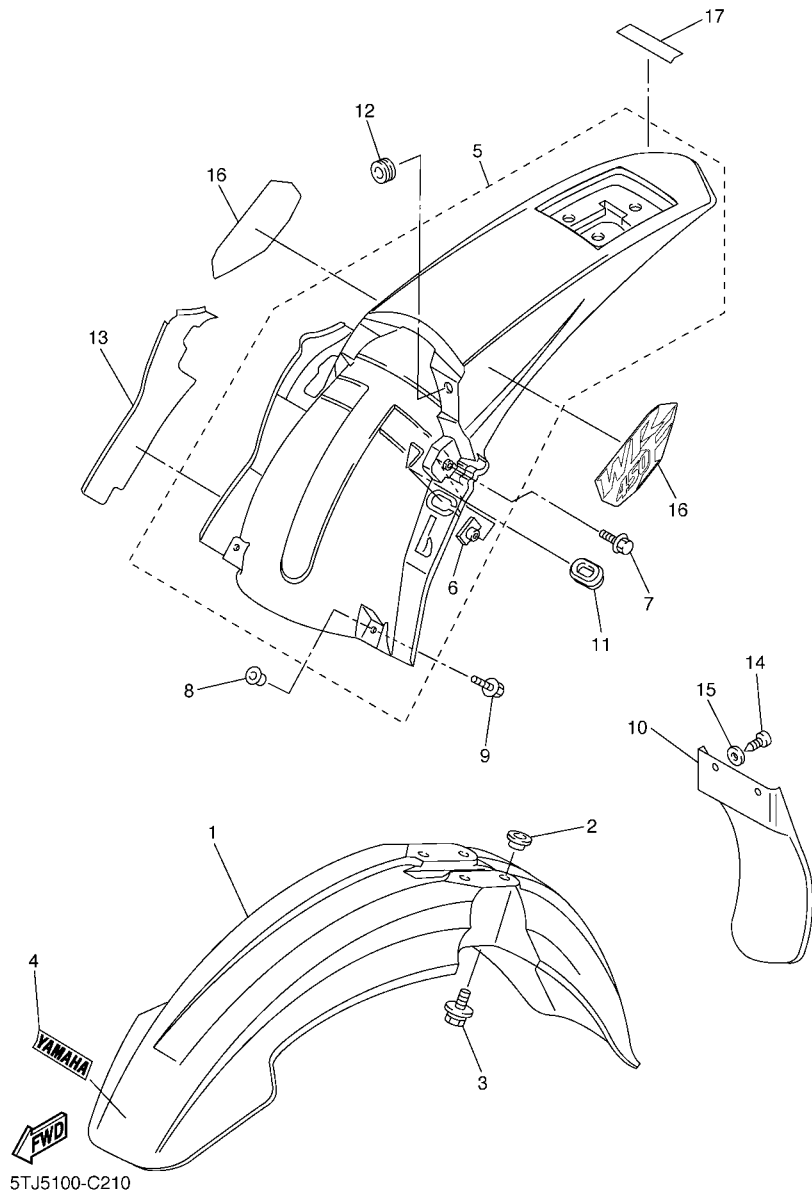


FIG. 20 FRAME

REF. NO.	PART NO.	DESCRIPTION	5TJ5	5TJ6	5TJ7	REMARKS
28	90201-086P8	WASHER, PLATE	3	3	3	
29	90338-18176	PLUG	1	1	1	
30	5TA-21417-00	BRACKET, FRONT LOWER 1	2	2	2	
31	95817-08020	BOLT, FLANGE	4	4	4	
32	5TA-21471-00	PROTECTOR, ENGINE	1	1	1	
33	95027-06012	BOLT, FLANGE	4	4	4	
34	90119-06001	BOLT, WITH WASHER	2	2	2	
35	5TA-2147E-00	GUARD, ENGINE 2	1	1	1	
36	5TA-15362-01	PLUG, OIL LEVEL	1	1	1	
37	93210-08001	.O-RING	1	1	1	
38	5TA-2147A-00	GUARD, ENGINE 1	1	1	1	
39	95027-08012	BOLT, FLANGE	1	1	1	
40	5TJ-2147F-00	GUARD, ENGINE 3	1	1	1	
41	5NG-21338-00	CLAMP	1	1	1	
42	5TJ-21338-00	CLAMP	1	1	1	
43	90201-086P8	WASHER, PLATE	1	1	1	
44	95027-08012	BOLT, FLANGE	1	1	1	
45	5ET-28166-00	WRENCH, HEXAGON	1	1	1	
46	5TA-2814F-00	BOX, SPARK PLUG	1	1	1	

FIG. 21 FENDER



REF. NO.	PART NO.	DESCRIPTION	5TJ5	5TJ6	5TJ7	REMARKS
1	5HD-21511-00	FENDER, FRONT	1	1	1	
2	3JD-21748-00	COLLAR	4	4	4	
3	90119-06096	BOLT, WITH WASHER	4	4	4	
4	4ES-2153E-01	EMBLEM, YAMAHA	1	1	1	
5	5TJ-21610-50	REAR FENDER COMP.	1	1	1	
6	5XD-21635-00	.NUT, REAR FENDER	2	2	2	
7	90119-06192	BOLT, WITH WASHER	2	2	2	
8	90387-06009	COLLAR	2	2	2	
9	90119-06225	BOLT, WITH WASHER	2	2	2	
10	5TA-21642-00	GUARD, FLAP	1	1	1	
11	90480-01512	GROMMET	1	1	1	
12	90480-14532	GROMMET	1	1	1	
13	5TJ-2174T-00	INSULATOR, SIDE COVER 2	1	1	1	
14	97707-60016	SCREW, TAPPING	2	2	2	
15	90201-06557	WASHER, PLATE	2	2	2	
16	5TJ-2163G-10	EMBLEM 1	2	2	2	
17	4ES-2153E-01	EMBLEM, YAMAHA	1	1	1	

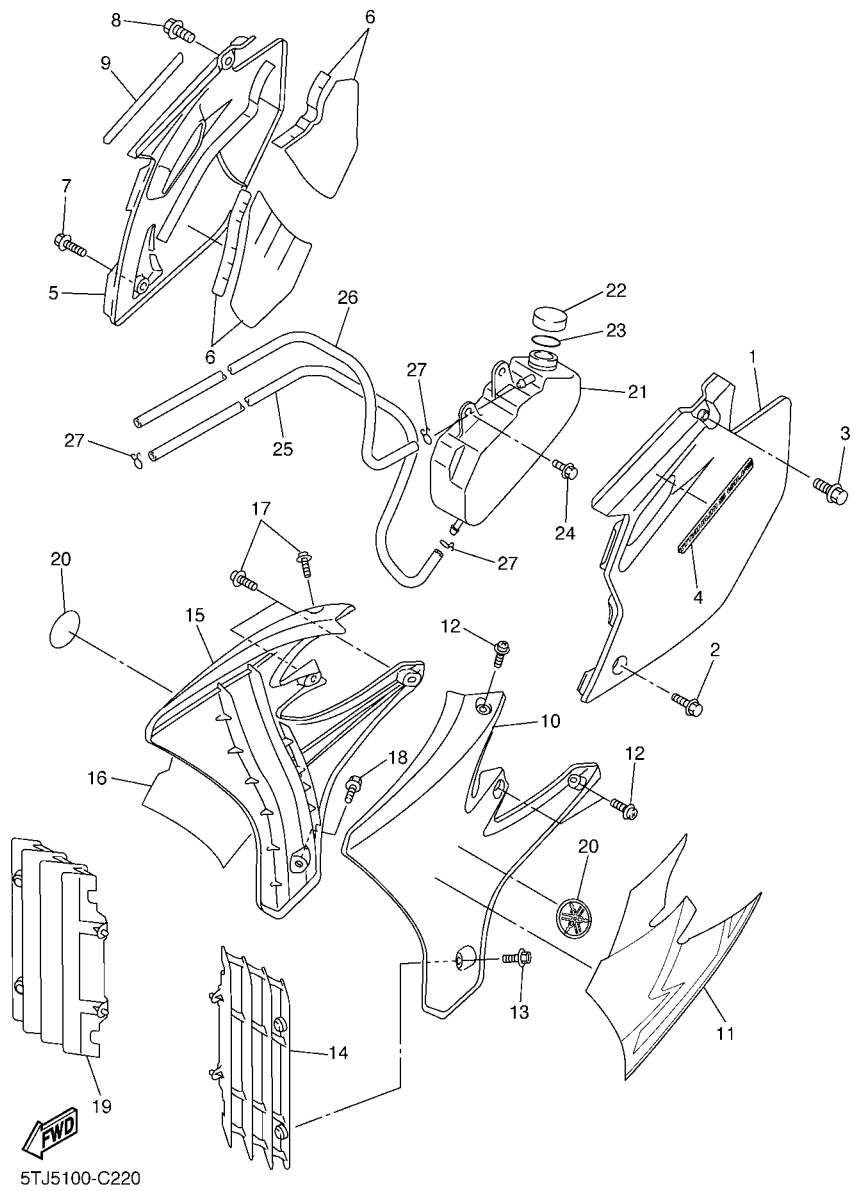
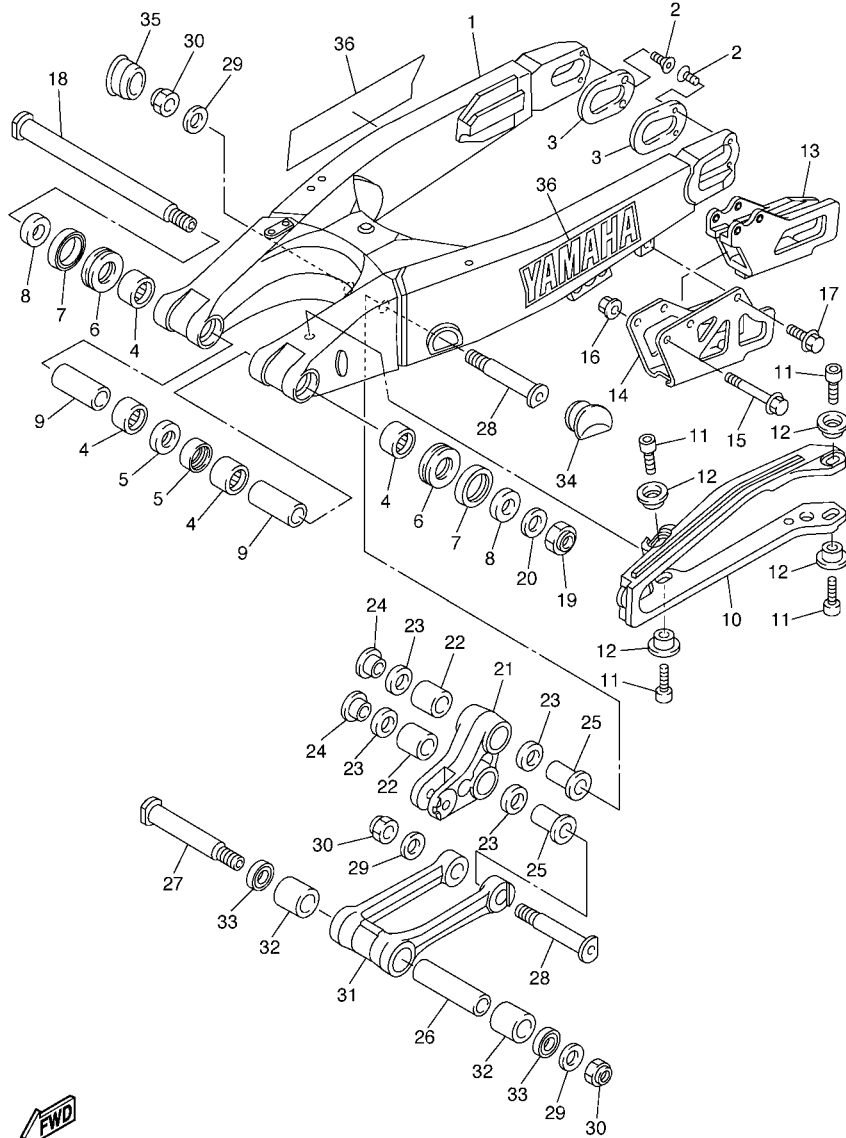


FIG. 22 SIDE COVER

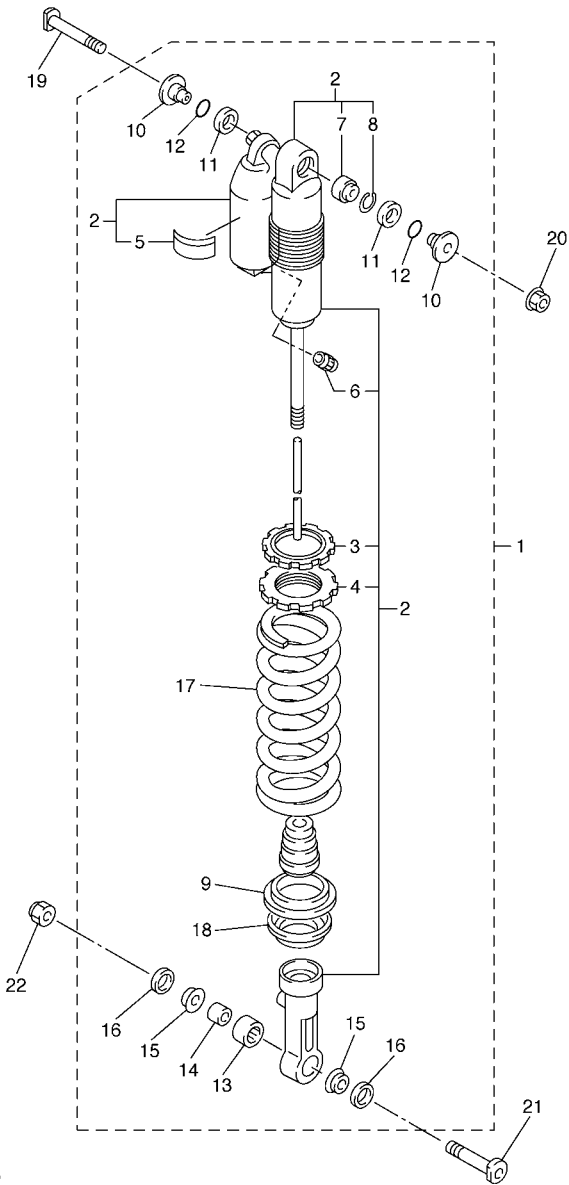
REF. NO.	PART NO.	DESCRIPTION	5TJ5	5TJ6	5TJ7	REMARKS
1	5TJ-21711-00	COVER, SIDE 1	1	1	1	
2	95827-06016	BOLT, FLANGE	1	1	1	
3	90119-08238	BOLT, WITH WASHER	1	1	1	
4	5XD-21781-00	EMBLEM 1	1	1	1	
5	5TJ-21721-00	COVER, SIDE 2	1	1	1	
6	5TJ-2174A-00	INSULATOR, SIDE COVER	1	1	1	
7	95827-06016	BOLT, FLANGE	1	1	1	
8	90119-08238	BOLT, WITH WASHER	1	1	1	
9	5XD-21781-00	EMBLEM 1	1	1	1	
10	5TJ-21730-00	SIDE COVER ASSY 3	1	1	1	
11	5TJ-2173E-10	GRAPHIC 1	1	1	1	
12	90159-06182	SCREW, WITH WASHER	3	3	3	
13	90159-06078	SCREW, WITH WASHER	1	1	1	
14	5TJ-2172A-00	PANEL 1	1	1	1	
15	5TJ-21740-00	SIDE COVER ASSY 4	1	1	1	
16	5TJ-2173F-10	GRAPHIC 2	1	1	1	
17	90159-06182	SCREW, WITH WASHER	3	3	3	
18	90159-06078	SCREW, WITH WASHER	1	1	1	
19	5TJ-2172A-00	PANEL 1	1	1	1	
20	5MV-2175C-00	TUNING FORK MARK	2	2	2	
21	5GS-21871-00	TANK, RECOVERY	1	1	1	
22	26H-21875-00	CAP	1	1	1	
23	26H-21874-00	GASKET	1	1	1	
24	90119-06051	BOLT, WITH WASHER	2	2	2	
25	91A20-05140	TUBE, FLEXIBLE VINYL	1	1	1	
26	91A11-05125	TUBE, FLEXIBLE	1	1	1	
27	90467-09006	CLIP	3	3	3	



5XD1100-C220

FIG. 23 REAR ARM

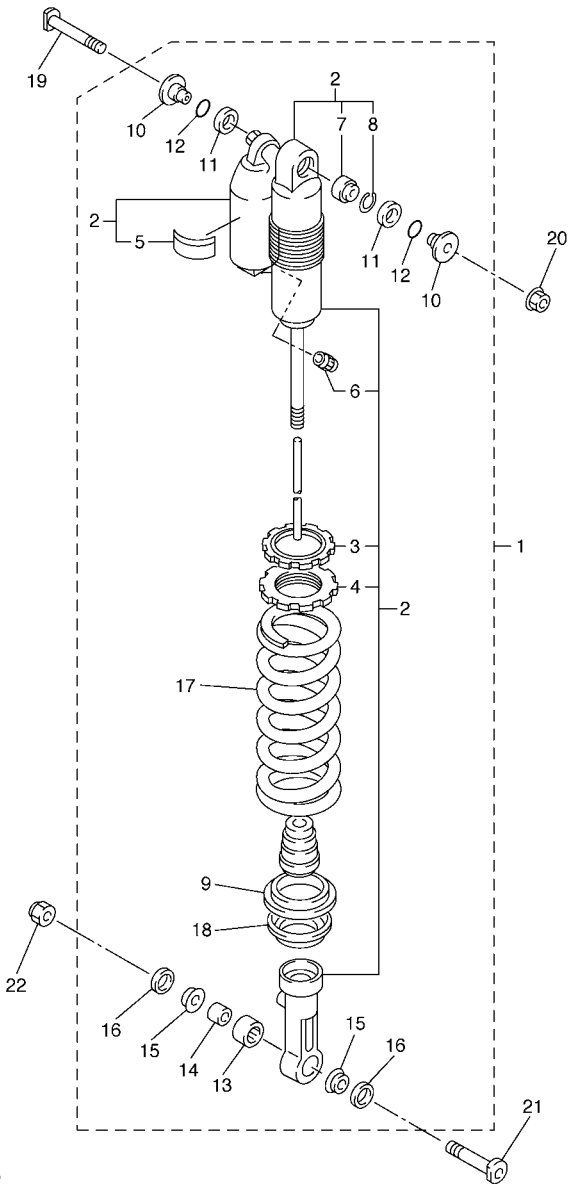
REF. NO.	PART NO.	DESCRIPTION	5TJ5	5TJ6	5TJ7	REMARKS
1	5UN-22110-00	REAR ARM COMP.	1	1	1	
2	90151-04001	SCREW, COUNTERSUNK	4	4	4	
3	5UN-22355-00	PATCH	2	2	2	
4	93317-22262	BEARING	4	4	4	
5	93106-22019	OIL SEAL (DC 22-28-8)	2	2	2	
6	93342-22217	BEARING	2	2	2	
7	93109-28043	OIL SEAL	2	2	2	
8	90387-18005	COLLAR	2	2	2	
9	90387-18004	COLLAR	2	2	2	
10	5UN-22151-00	SEAL, GUARD	1	1	1	
11	91317-05008	BOLT	4	4	4	
12	5JG-22156-00	WASHER, PLATE	4	4	4	
13	5UN-22199-00	SUPPORT, CHAIN	1	1	1	
14	5UN-22128-00	COVER, THRUST 1	1	1	1	
15	95027-06050	BOLT, FLANGE	2	2	2	
16	90179-06568	NUT	2	2	2	
17	95027-06010	BOLT, FLANGE	1	1	1	
18	5NY-22141-01	SHAFT, PIVOT	1	1	1	
19	90185-16127	NUT, SELF-LOCKING	1	1	1	
20	90201-160F6	WASHER, PLATE	1	1	1	
21	5NY-2217A-00	ARM, RELAY	1	1	1	
22	93315-32056	BEARING	2	2	2	
23	93109-20076	OIL SEAL	4	4	4	
24	90387-16005	COLLAR	2	2	2	
25	90387-16007	COLLAR	2	2	2	
26	90387-167Y9	COLLAR	1	1	1	
27	5NY-22121-00	SHAFT 1	1	1	1	



FWD
5XD1100-C230

FIG. 24 REAR SUSPENSION

REF. NO.	PART NO.	DESCRIPTION	5TJ5	5TJ6	5TJ7	REMARKS
1	5TJ-22210-80	SHOCK ABSORBER ASSY, REAR			1	UR FOR ZAF
2	5TJ-22201-80	.DAMPER SUB ASSY			1	UR FOR ZAF
3	3SP-22234-00	..GUIDE, SPRING 3	1	1	1	
4	3SP-22213-00	..SEAT, SPRING UPPER	1	1	1	
5	4AA-22259-40	..LABEL, WARNING			1	
6	509-23184-L0	..CAP, AIR VALVE	1	1	1	
7	4JX-22226-00	..BUSH, SHOCK ABSORBER LOWER	1	1	1	
8	5DH-23183-00	..CIRCLIP	1	1	1	
9	5MV-22224-00	.GUIDE, SPRING 2	1	1	1	
10	5DH-22253-00	.COLLAR, DISTANCE	2	2	2	
11	3JE-22475-00	.SEAL, DUST	2	2	2	
12	4EW-22474-00	.SEAL, RING	2	2	2	
13	5UN-22176-00	.BEARING	1	1	1	
14	5MV-22184-00	.BUSH	1	1	1	
15	5MV-22253-00	.COLLAR, DISTANCE	2	2	2	
16	5NY-22475-00	.SEAL, DUST	2	2	2	
17	5UN-22212-60	.SPRING (K=54N/MM)			1	

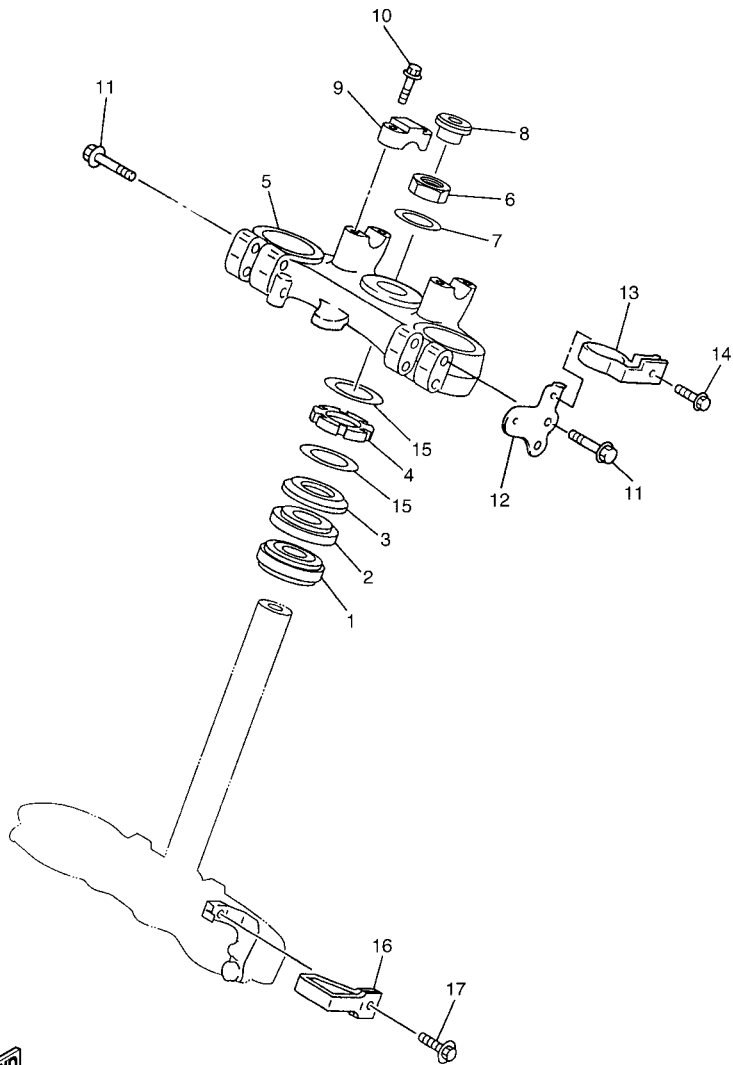


5XD1100-C230

FIG. 24 REAR SUSPENSION

REF. NO.	PART NO.	DESCRIPTION	5TJ6	5TJ6	5TJ7			REMARKS
18	5XE-22214-00	.GUIDE, SPRING 1	1	1	1			
19	5XE-22242-00	BOLT 2	1	1	1			
20	95607-10200	NUT, SELF-LOCKING	1	1	1			
21	5NY-22241-00	BOLT 1	1	1	1			
22	90185-10060	NUT, SELF-LOCKING	1	1	1			

D8



5TJ1100-B250

FIG. 25 STEERING

REF. NO.	PART NO.	DESCRIPTION	5TJ5	5TJ6	5TJ7	REMARKS
1	93332-00081	BEARING	1	1	1	
2	93332-00068	BEARING	1	1	1	
3	4EW-23416-00	COVER, BALL RACE 2	1	1	1	
4	90179-28650	NUT	1	1	1	
5	5PH-23435-10	CROWN, HANDLE	1	1	1	
6	90170-24373	NUT	1	1	1	
7	90201-247L2	WASHER, PLATE	1	1	1	
8	5TJ-2319U-00	CAP	1	1	1	
9	5XE-23441-00	HOLDER, HANDLE UPPER	2	2	2	
10	95027-08035	BOLT, FLANGE	4	4	4	
11	95027-08040	BOLT, FLANGE	4	4	4	
12	5TJ-2831V-00	STAY, HEAD LIGHT 1	1	1	1	
13	4GY-23389-00	GUIDE, CABLE	1	1	1	
14	90105-05361	BOLT, FLANGE	1	1	1	
15	90201-286K9	WASHER, PLATE	2	2	2	
16	4DA-23389-00	GUIDE, CABLE	1	1	1	
17	90119-05071	BOLT, WITH WASHER	1	1	1	

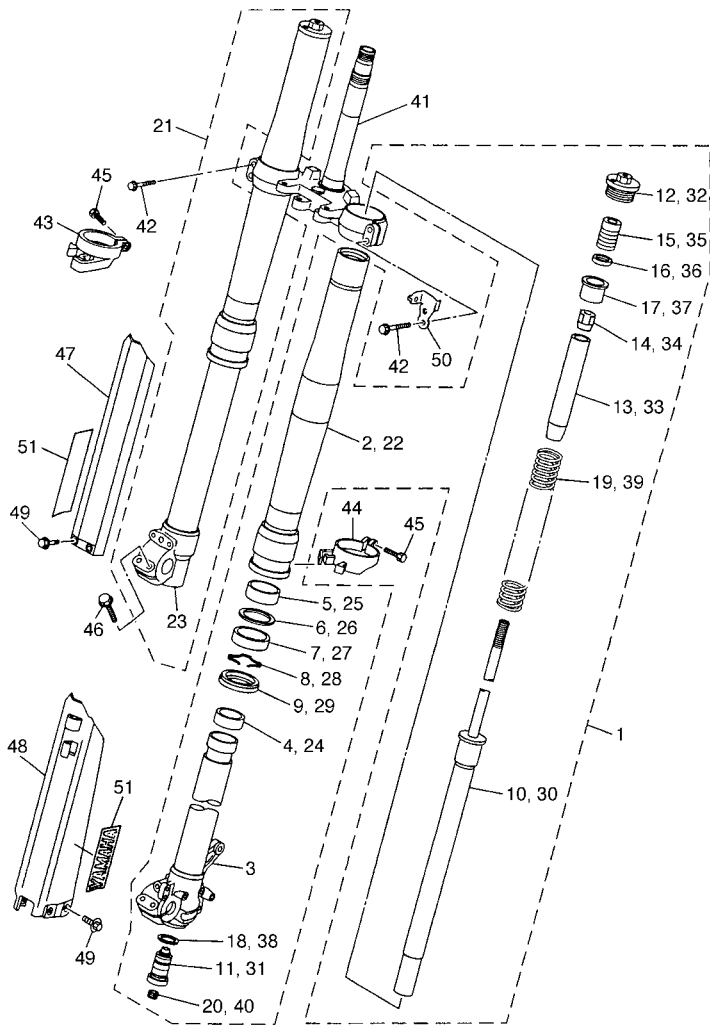


FIG. 26 FRONT FORK

REF. NO.	PART NO.	DESCRIPTION	5TJ5	5TJ6	5TJ7	REMARKS
1	5TJ-23102-80	FRONT FORK ASSY (L.H)			1	
2	5TJ-23136-50	.TUBE, OUTER (RIGHT)	1	1	1	
3	5DH-23120-L0	.INNER TUBE COMP.2	1	1	1	
4	5ET-23171-L0	.PISTON, FRONT FORK	1	1	1	
5	5TJ-23126-50	.METAL, SLIDE	1	1	1	
6	5UN-23146-L0	.WASHER, OIL SEAL	1	1	1	
7	5UN-23145-L0	.OIL SEAL	1	1	1	
8	4SS-23153-L0	.RING, SNAP	1	1	1	
9	5HD-23144-L0	.SEAL, DUST	1	1	1	
10	5TJ-23170-60	.CYLINDER COMP., FRONT FORK			1	
11	5TJ-2316A-60	.VALVE COMP.			1	
12	5UN-23111-L0	.BOLT, CAP	1	1	1	
13	5DH-23142-L0	.SEAT, SPRING UPPER	1	1	1	
14	5HD-23393-L0	.NUT, SPECIAL	1	1	1	
15	5MV-23195-L0	.RUBBER	1	1	1	
16	5DH-23149-L0	.WASHER, SPRING UPPER	1	1	1	
17	5DH-23118-L0	.SPACER	1	1	1	
18	4SS-23158-L0	.GASKET	1	1	1	
19	5NL-23141-00	.SPRING (K=4.3N/MM)			1	
20	3JD-2312G-L0	.PLUG	1	1	1	



5TJ5100-C260

D10

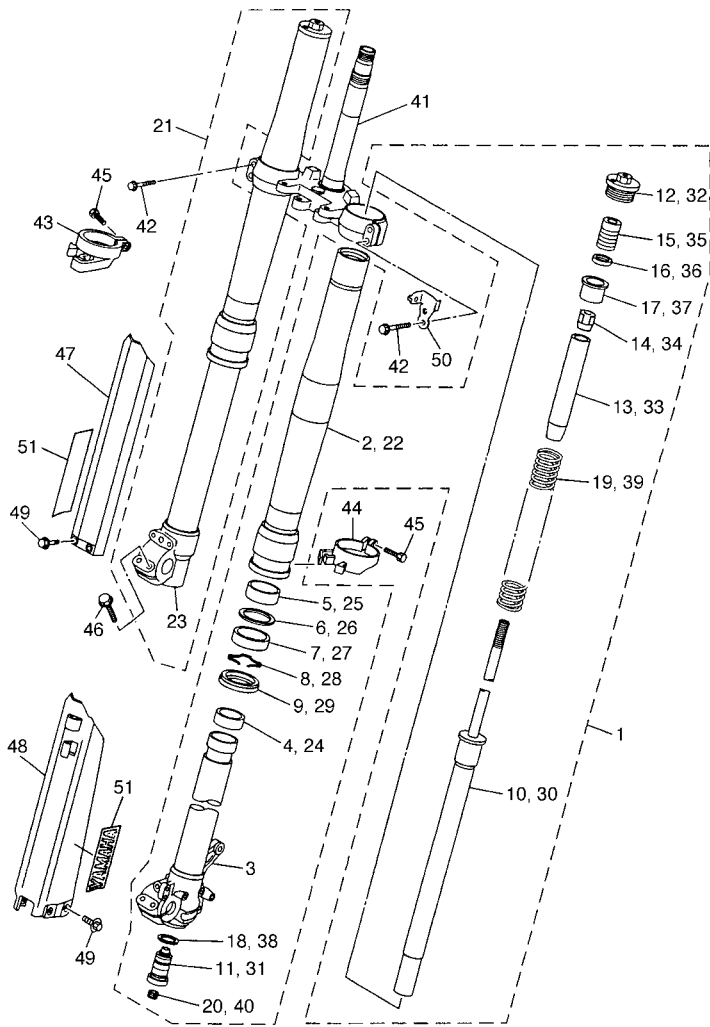


FIG. 26 FRONT FORK

REF. NO.	PART NO.	DESCRIPTION	5TJ5	5TJ6	5TJ7	REMARKS
21	5TJ-23103-80	FRONT FORK ASSY (R.H)			1	
22	5TJ-23136-50	.TUBE, OUTER (RIGHT)	1	1	1	
23	5BF-23110-L0	.INNER TUBE COMP.1	1	1	1	
24	5ET-23171-L0	.PISTON, FRONT FORK	1	1	1	
25	5TJ-23126-50	.METAL, SLIDE	1	1	1	
26	5UN-23146-L0	.WASHER, OIL SEAL	1	1	1	
27	5UN-23145-L0	.OIL SEAL	1	1	1	
28	4SS-23153-L0	.RING, SNAP	1	1	1	
29	5HD-23144-L0	.SEAL, DUST	1	1	1	
30	5TJ-23170-60	.CYLINDER COMP., FRONT FORK			1	
31	5TJ-2316A-60	.VALVE COMP.			1	
32	5UN-23111-L0	.BOLT, CAP	1	1	1	
33	5DH-23142-L0	.SEAT, SPRING UPPER	1	1	1	
34	5HD-23393-L0	.NUT, SPECIAL	1	1	1	
35	5MV-23195-L0	.RUBBER	1	1	1	
36	5DH-23149-L0	.WASHER, SPRING UPPER	1	1	1	
37	5DH-23118-L0	.SPACER	1	1	1	
38	4SS-23158-L0	.GASKET	1	1	1	
39	5NL-23141-00	.SPRING (K=4.3N/MM)	1		1	
40	3JD-2312G-L0	.PLUG	1	1	1	
41	5UP-23340-L0	UNDER BRACKET COMP.	1	1	1	
42	5NY-23346-L0	BOLT 1	4	4	4	



5TJ5100-C260

D11

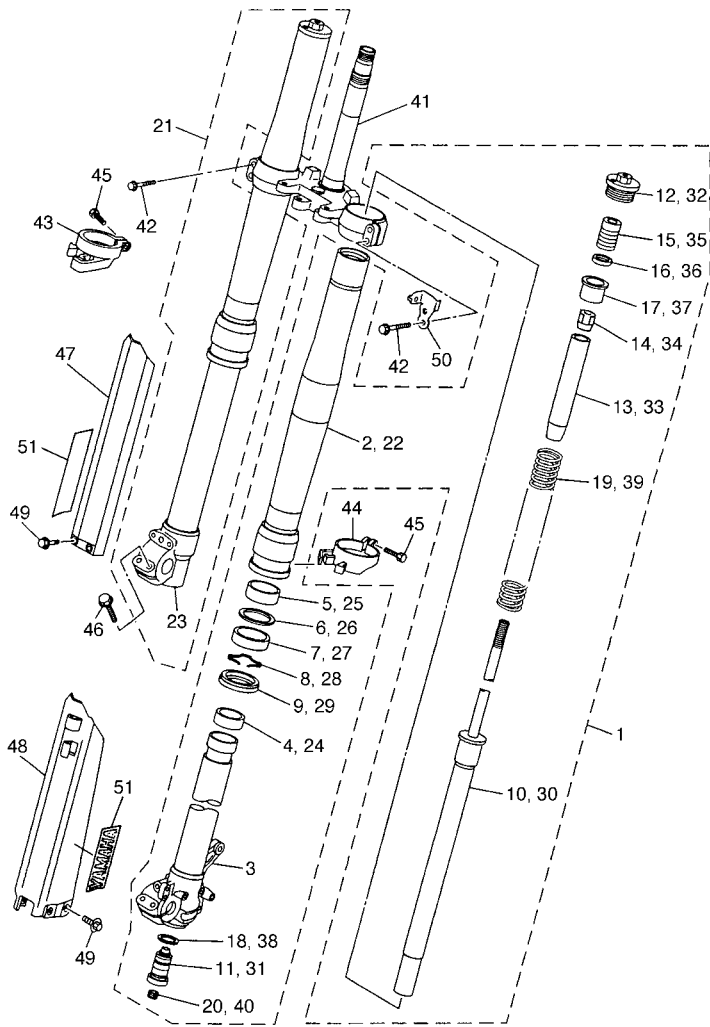
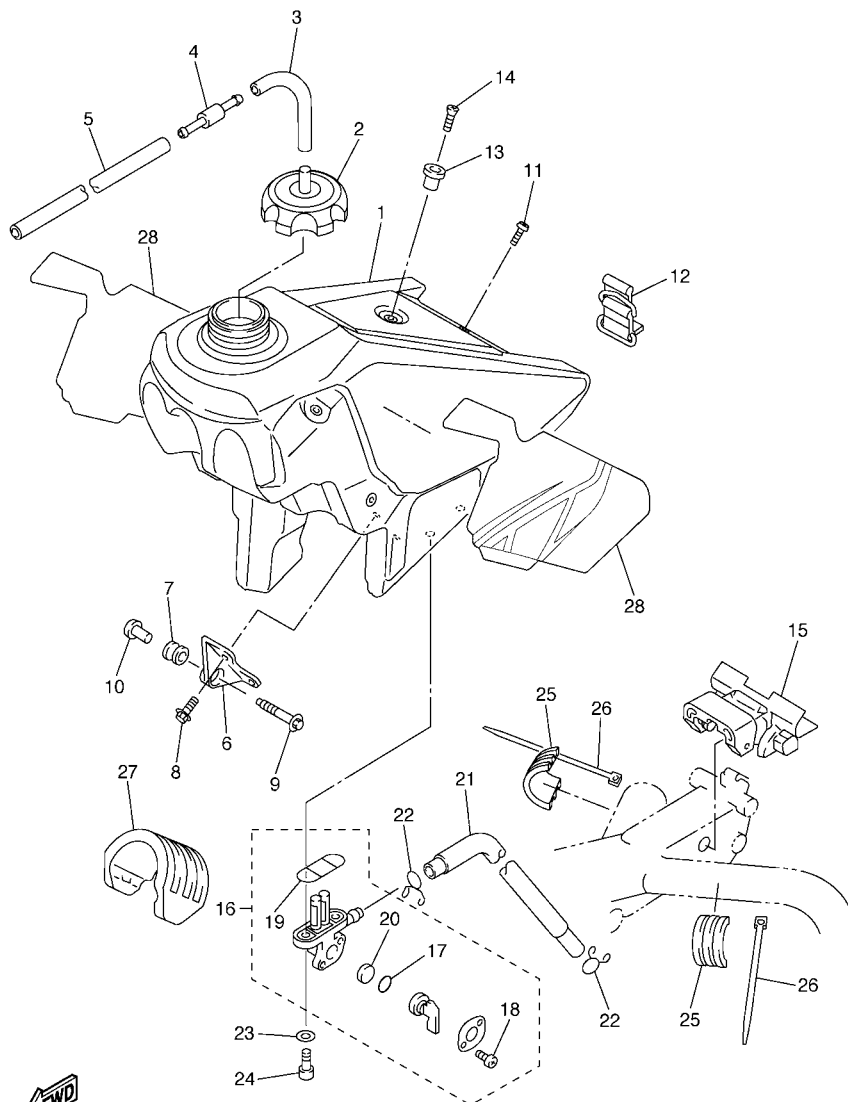


FIG. 26 FRONT FORK

REF. NO.	PART NO.	DESCRIPTION				REMARKS
			5TJ5	5TJ6	5TJ7	
43	5XE-2314G-L0	PROTECTOR GUIDE COMP., 2	1	1	1	
44	5XE-2314F-L0	PROTECTOR GUIDE COMP., 1	1	1	1	
45	4SS-23346-L0	BOLT 1	2	2	2	
46	95027-08040	BOLT, FLANGE	4	4	4	
47	5TJ-2314J-00	PROTECTOR COMP., 2	1	1	1	
48	5TA-2314H-00	PROTECTOR COMP., 1	1	1	1	
49	3SP-23356-L0	BOLT 2	6	6	6	
50	5HC-2331E-00	GUIDE, CABLE	1	1	1	
51	4XL-2153A-10	EMBLEM, YAMAHA	2	2	2	



5TJ5100-C260

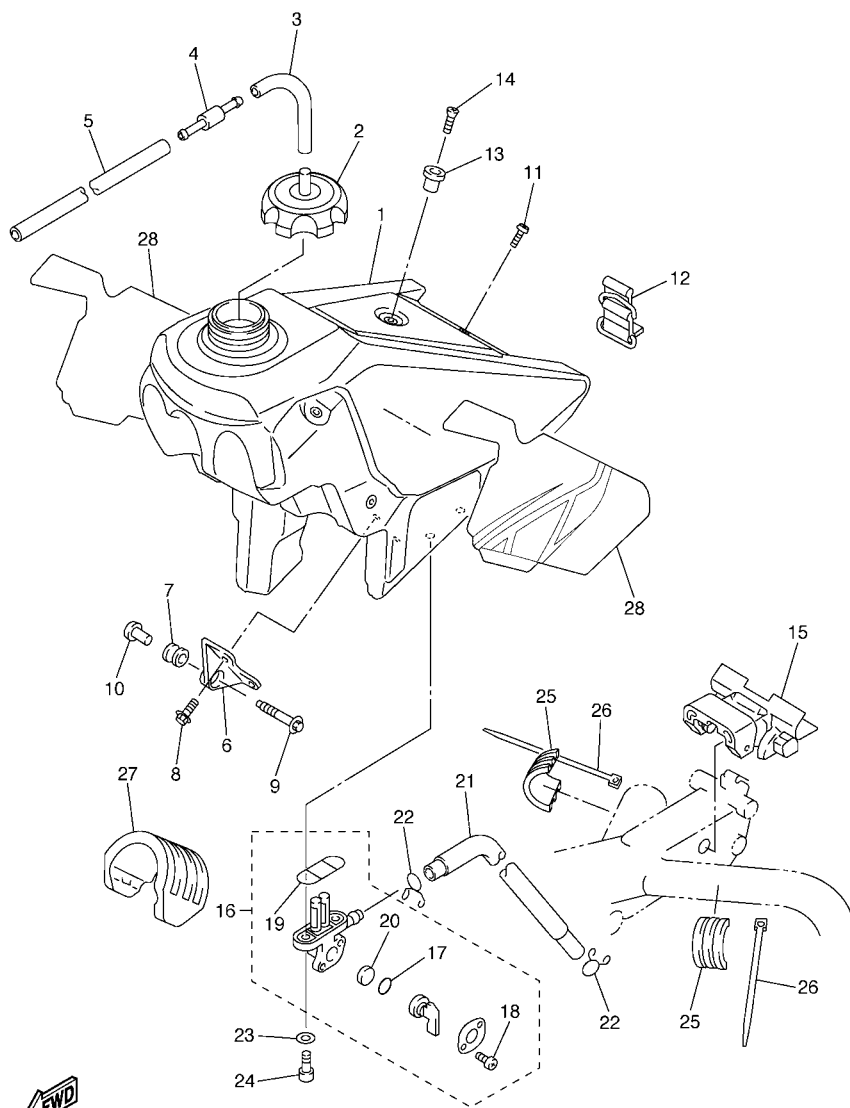


5TJ5100-C270

FIG. 27 FUEL TANK

REF. NO.	PART NO.	DESCRIPTION	5TJ5	5TJ6	5TJ7	REMARKS
1	5TJ-24110-50	FUEL TANK COMP.	1	1	1	
2	5NY-24610-00	CAP ASSY	1	1	1	
3	90445-09220	HOSE (L30)	1	1	1	
4	3XJ-24380-00	PIPE JOINT ASSY	1	1	1	
5	90445-09100	HOSE	1	1	1	
6	5XE-24144-00	HOLDER, DAMPER	2	2	2	
7	90480-18549	GROMMET	2	2	2	
8	95027-06016	BOLT, FLANGE	4	4	4	
9	5XE-24176-00	BOLT 1	2	2	2	
10	5NY-24186-00	WASHER, SPECIAL	2	2	2	
11	98907-06025	SCREW, BIND	1	1	1	
12	5SF-24173-00	BAND, TANK FITTING 1	1	1	1	
13	4EW-2412F-00	BRACKET, SEAT	1	1	1	
14	98707-06025	SCREW, FLAT HEAD	1	1	1	
15	5TJ-24181-00	DAMPER, LOCATING 1	1	1	1	
16	2GU-24500-01	FUEL COCK ASSY 1	1	1	1	
17	3AJ-24534-00	.SEAL, COCK	1	1	1	
18	97801-03008	.SCREW, PAN HEAD	2	2	2	
19	4X8-24512-00	.O-RING	1	1	1	
20	3AJ-24523-00	.VALVE PACKING	1	1	1	
21	90445-11185	HOSE	1	1	1	
22	90467-10008	CLIP	2	2	2	
23	90202-05193	WASHER, PLATE	2	2	2	
24	90149-06011	SCREW	2	2	2	
25	5NY-24183-00	DAMPER, LOCATING 3	2	2	2	
26	90465-13152	CLAMP	2	2	2	
27	5BE-24182-00	DAMPER, LOCATING 2	1	1	1	

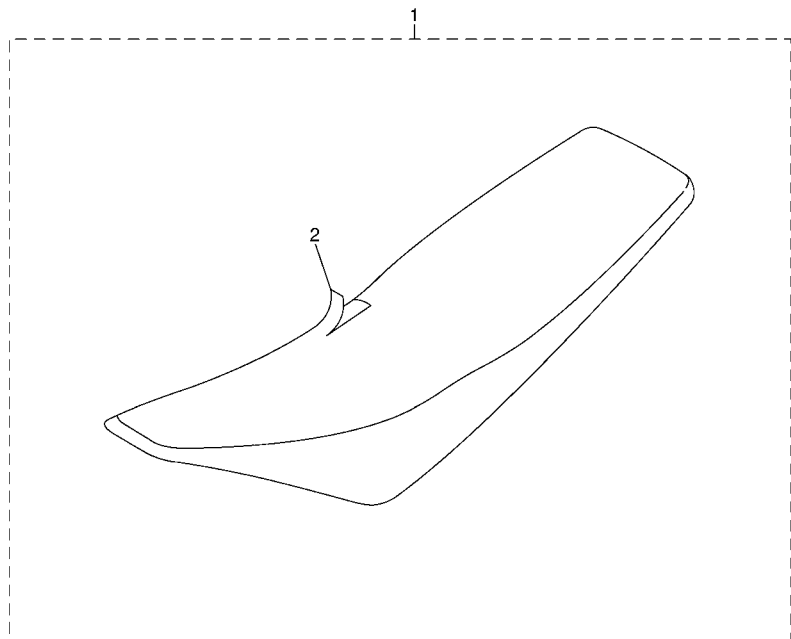
FIG. 27 FUEL TANK



5TJ5100-C270

REF. NO.	PART NO.	DESCRIPTION	5TJ5	5TJ6	5TJ7	REMARKS
28	5TJ-24240-10	GRAPHIC SET	1	1	1	

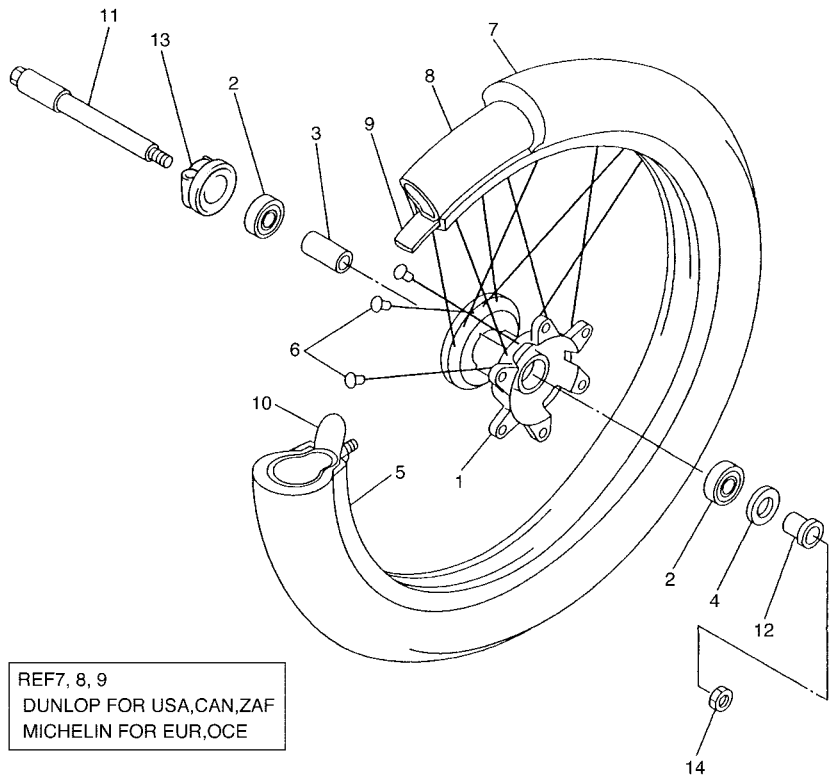
FIG. 28 SEAT



REF. NO.	PART NO.	DESCRIPTION	5TJ6	5TJ6	5TJ7			REMARKS
			1	1	1			
1	5TJ-24710-50	SINGLE SEAT ASSY	1	1	1			
2	5TJ-2470F-50	.SEAT COVER COMP.	1	1	1			



5XD1100-C270



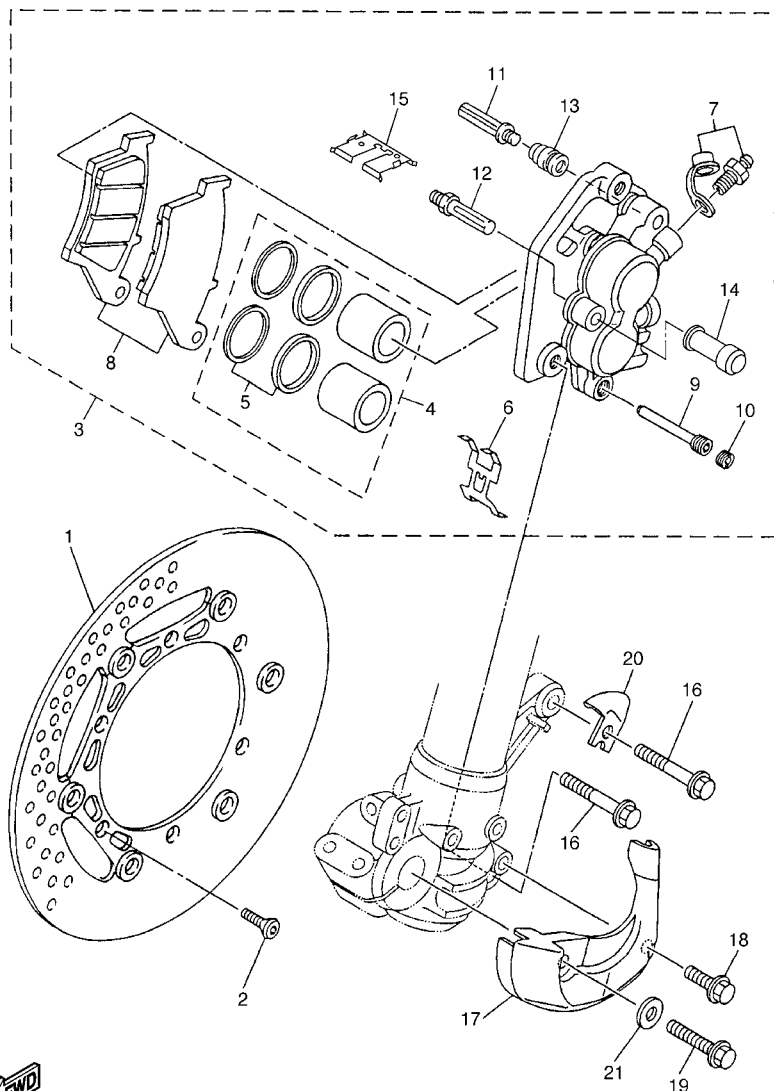
REF7, 8, 9
 DUNLOP FOR USA,CAN,ZAF
 MICHELIN FOR EUR,OCE

FIG. 29 FRONT WHEEL

REF. NO.	PART NO.	DESCRIPTION	5TJ5	5TJ6	5TJ7	REMARKS
1	5NG-25111-50	HUB, FRONT	1	1	1	
2	93306-90403	BEARING	2	2	2	
3	5NY-25117-00	SPACER, BEARING	1	1	1	
4	93102-26468	OIL SEAL	1	1	1	
5	94416-21003	RIM (1.60-21)	1	1	1	
6	5NY-25104-00	SPOKE SET, FRONT	1	1	1	
7	L.M.	TYRE (80/100-21)			1	
8	L.M.	TUBE (80/100-21)			1	
9	94309-21161	BAND, RIM (1.60-21)	1	1	1	
10	5SF-25394-00	SPACER, BEAD	1	1	1	
11	5BE-25181-00	AXLE, WHEEL	1	1	1	
12	5NY-25183-00	COLLAR, WHEEL	1	1	1	
13	5NG-25190-50	GEAR UNIT ASSY	1	1	1	
14	90179-16672	NUT	1	1	1	


 5TJ1100-B290

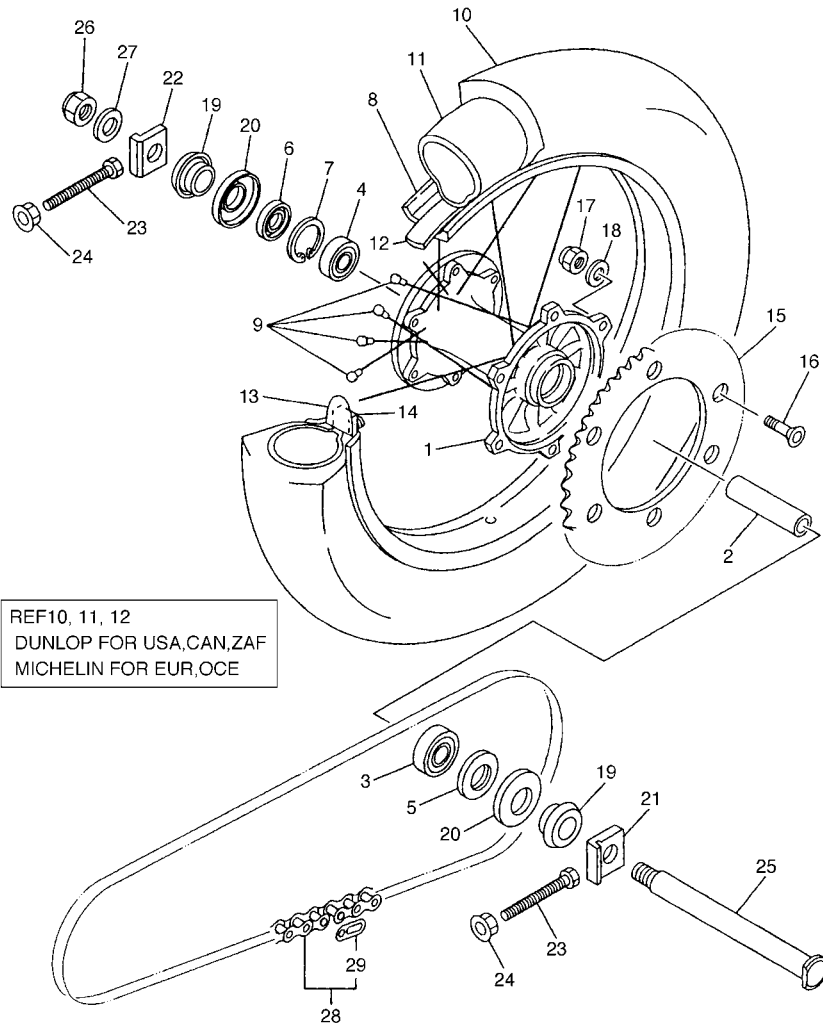
FIG. 30 FRONT BRAKE CALIPER



5XD1100-C290

REF. NO.	PART NO.	DESCRIPTION	5TJ5	5TJ6	5TJ7	REMARKS
1	5MV-2581T-00	DISC BRAKE ASSY	1	1	1	
2	90149-06327	SCREW	6	6	6	
3	5UN-2580T-00	CALIPER ASSY (LEFT)	1	1	1	
4	5UN-W0057-00	.PISTON ASSY, CALIPER	1	1	1	
5	3JD-W0047-00	..CALIPER SEAL KIT	1	1	1	
6	5DH-25919-00	.SUPPORT, PAD	1	1	1	
7	1UY-W0048-50	.BLEED SCREW KIT	1	1	1	
8	5MV-W0045-01	.BRAKE PAD KIT	1	1	1	
9	5DH-25933-00	.PIN, PAD	1	1	1	
10	5DH-25916-00	.PLUG	1	1	1	
11	3SP-25926-51	.BOLT	1	1	1	
12	3SP-25914-51	.PIN, SLIDE	1	1	1	
13	3JD-25917-00	.BOOT, CALIPER	1	1	1	
14	1UY-25937-51	.BOOT 2	1	1	1	
15	5DH-25849-00	.RETAINER, CALIPER	1	1	1	
16	90105-08659	BOLT, FLANGE	2	2	2	
17	5DH-2314E-00	COVER, HOSE	1	1	1	
18	95827-06012	BOLT, FLANGE	1	1	1	
19	95027-08020	BOLT, FLANGE	1	1	1	
20	5DH-25875-00	HOLDER, BRAKE HOSE 1	1	1	1	
21	92907-08200	WASHER	1	1	1	

FIG. 31 REAR WHEEL



REF10, 11, 12
DUNLOP FOR USA,CAN,ZAF
MICHELIN FOR EUR,OCE

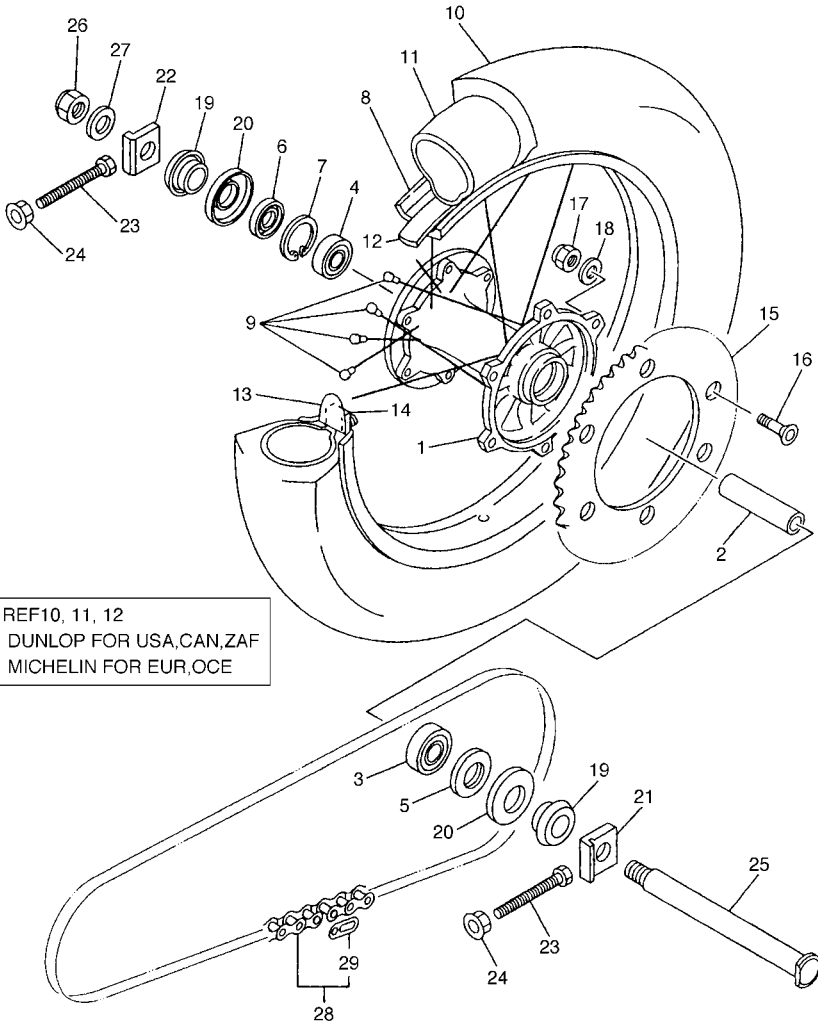


5TJ5100-C310

REF. NO.	PART NO.	DESCRIPTION	5TJ5	5TJ6	5TJ7	REMARKS
1	5ET-25311-00	HUB, REAR	1	1	1	
2	5ET-25317-00	SPACER, BEARING	1	1	1	
3	93306-27205	BEARING	1	1	1	
4	93306-07202	BEARING	1	1	1	
5	93106-30001	OIL SEAL	1	1	1	
6	93106-30045	OIL SEAL	1	1	1	
7	99009-45500	CIRCLIP	1	1	1	
8	94421-18610	RIM (2.15-18)	1	1	1	
9	5GS-25304-00	SPOKE SET, REAR	1	1	1	
10	L.M.	TYRE (110/100-18)			1	
11	L.M.	TUBE (110-140/80-100-18)			1	
12	94309-18146	BAND, RIM (2.15-18)	1	1		
13	3JE-25394-00	SPACER, BEAD	2	2	2	
14	4XM-25364-00	DAMPER	2	2	2	
15	5GS-25450-50	SPROCKET, DRIVEN (50T)	1	1	1	STD FOR CAN,ZAF
	5GS-25448-50	SPROCKET, DRIVEN (48T)	1	1	1	AP FOR CAN,ZAF
	5GS-25452-50	SPROCKET, DRIVEN (52T)	1	1	1	AP FOR CAN,ZAF
16	90109-081G1	BOLT	6	6	6	
17	90185-08169	NUT, SELF-LOCKING	6	6	6	

FIG. 31 REAR WHEEL

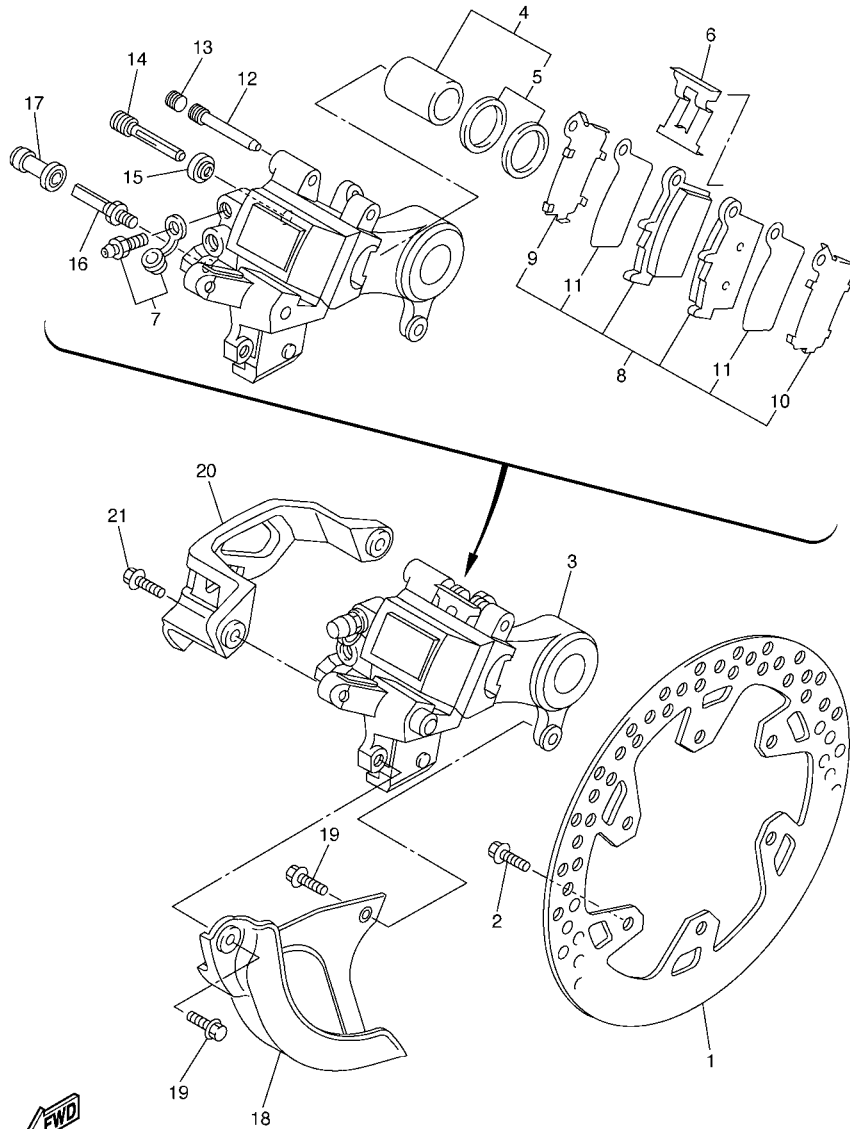
REF. NO.	PART NO.	DESCRIPTION	5TJ5	5TJ6	5TJ7	REMARKS
18	90201-08326	WASHER, PLATE	6	6	6	
19	5TJ-25383-50	COLLAR, WHEEL	2	2	2	
20	5ET-25367-00	COVER, HUB DUST	2	2	2	
21	5NY-25388-00	PULLER, CHAIN 1	1	1	1	
22	5NY-25389-00	PULLER, CHAIN 2	1	1	1	
23	90101-08777	BOLT	2	2	2	
24	90179-08299	NUT	2	2	2	
25	5ET-25381-00	AXLE, WHEEL	1	1	1	
26	90185-20168	NUT, SELF-LOCKING	1	1	1	
27	90201-203U1	WASHER, PLATE	1	1	1	
28	9Y58A-76113	CHAIN (DID 520VM-114LL)	1	1	1	
29	94681-76021	JOINT, CHAIN	1	1	1	



REF10, 11, 12
DUNLOP FOR USA,CAN,ZAF
MICHELIN FOR EUR,OCE



5TJ5100-C310

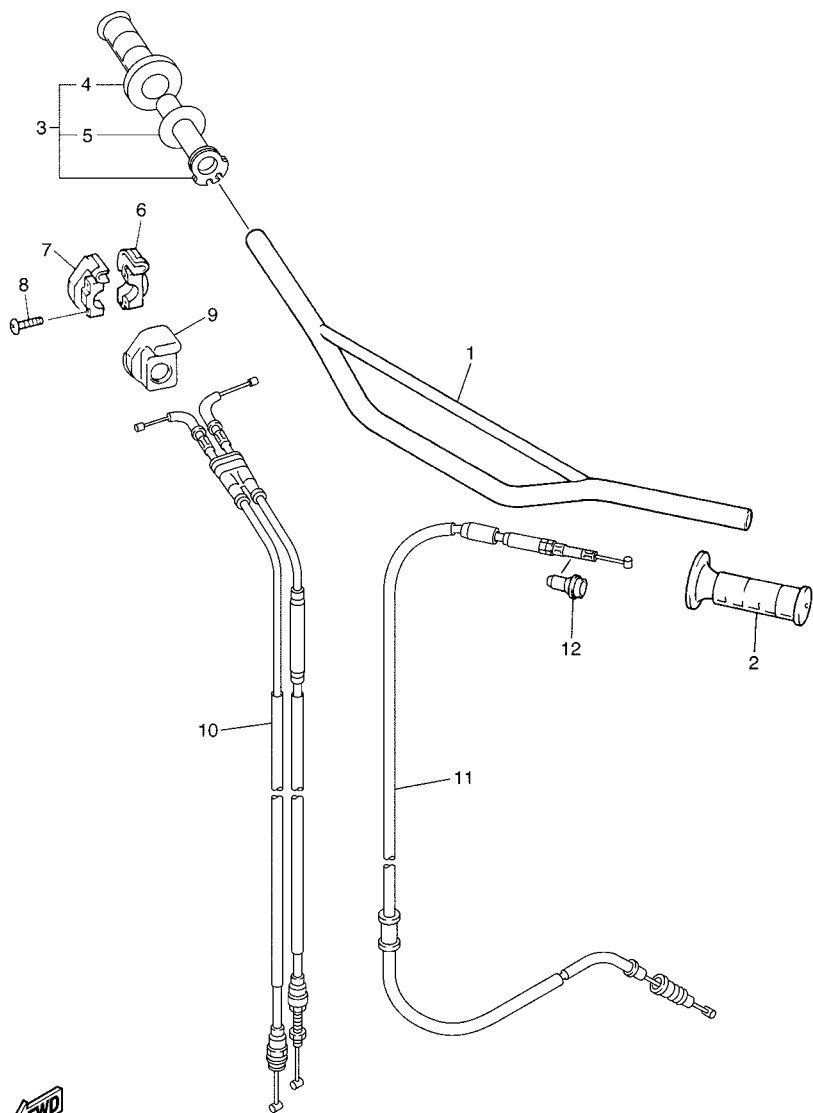


5XD1100-C310

FIG. 32 REAR BRAKE CALIPER

REF. NO.	PART NO.	DESCRIPTION	5TJ5	5TJ6	5TJ7	REMARKS
1	5NY-2582W-00	DISC, REAR BRAKE 2	1	1	1	
2	90109-065G4	BOLT	6	6	6	
3	5UN-2580W-10	CALIPER ASSY, REAR 2	1	1	1	
4	5UN-W0057-50	.PISTON ASSY, CALIPER	1	1	1	
5	5UN-W0047-50	..CALIPER SEAL KIT	1	1	1	
6	5DH-25919-50	..SUPPORT, PAD	1	1	1	
7	1UY-W0048-50	.BLEED SCREW KIT	1	1	1	
8	5UN-W0046-51	.BRAKE PAD KIT 2	1	1	1	
9	5UN-25828-60	..SHIM, CALIPER	1	1	1	
10	5UN-25827-60	..SHIM, CALIPER	1	1	1	
11	5UN-22898-60	..INSULATOR, HEAT	2	2	2	
12	8CR-25924-00	.PIN, PAD	1	1	1	
13	5DH-25916-00	.PLUG	1	1	1	
14	5DH-25914-50	.PIN, SLIDE	1	1	1	
15	3JD-25917-00	.BOOT, CALIPER	1	1	1	
16	5UN-25914-00	.PIN, SLIDE	1	1	1	
17	1UY-25937-51	.BOOT 2	1	1	1	
18	5DH-25718-01	PROTECTOR, DISK BRAKE	1	1	1	
19	95027-06012	BOLT, FLANGE	2	2	2	
20	5TA-27491-00	PROTECTOR	1	1	1	
21	95027-06016	BOLT, FLANGE	2	2	2	

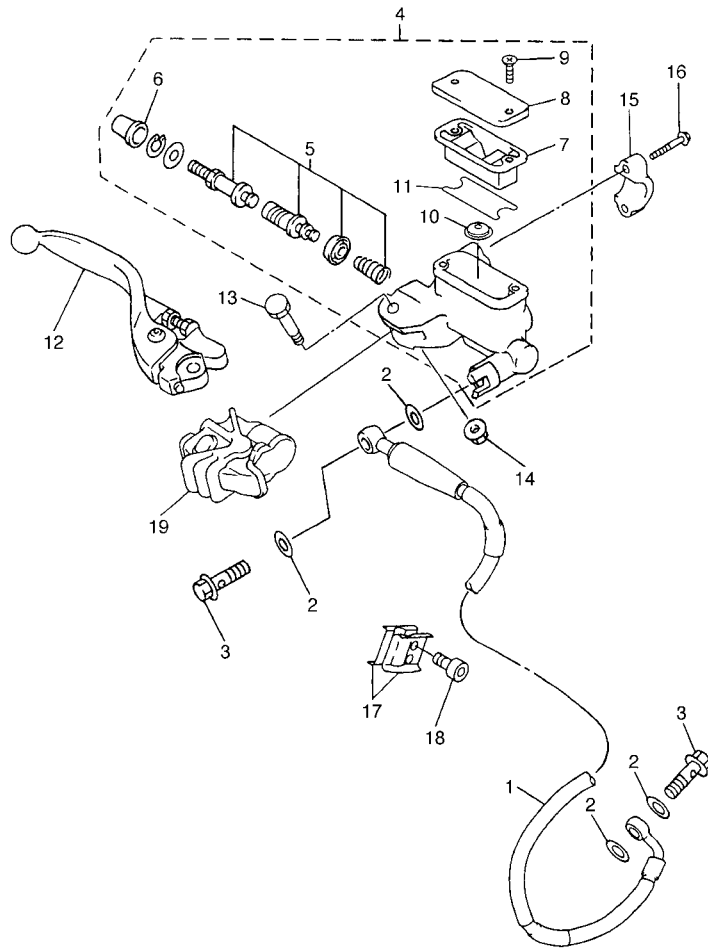
FIG. 33 STEERING HANDLE & CABLE



5TJ1100-B330

REF. NO.	PART NO.	DESCRIPTION	5TJ5	5TJ6	5TJ7	REMARKS
1	4XM-26111-00	HANDLEBAR	1	1	1	
2	4GY-26241-00	GRIP	1	1	1	
3	5BE-26240-00	GRIP ASSY	1	1	1	
4	4GY-26242-00	.GRIP (RIGHT)	1	1	1	
5	3Y1-26249-00	.RING, LEAF	1	1	1	
6	5BE-26281-00	CAP, GRIP UPPER	1	1	1	
7	5BE-26282-00	CAP, GRIP LOWER	1	1	1	
8	98507-05020	SCREW, PAN HEAD	2	2	2	
9	5SF-26287-00	COVER, CAP GRIP	1	1	1	
10	5XD-26302-00	THROTTLE CABLE ASSY	1	1	1	
11	5TJ-26335-50	CABLE, CLUTCH	1	1	1	
12	5HD-26342-00	BOOT, CABLE	1	1	1	

FIG. 34 FRONT MASTER CYLINDER

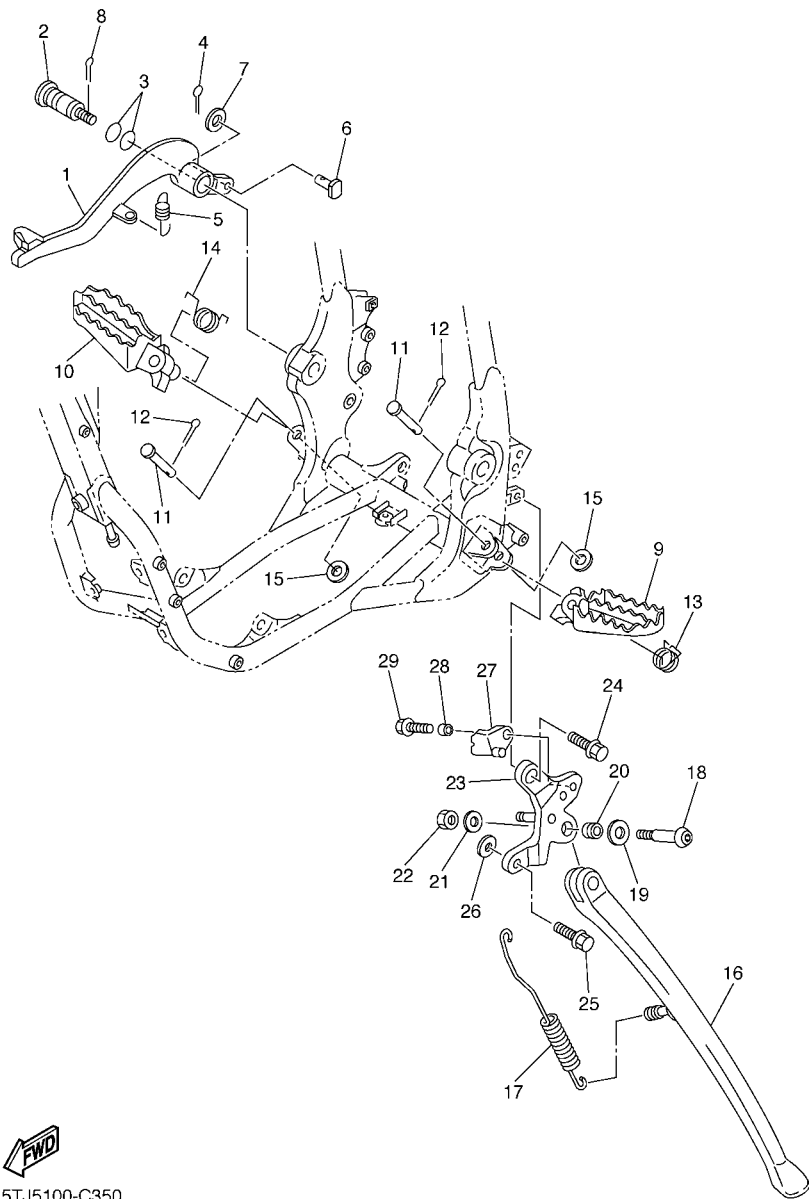


REF. NO.	PART NO.	DESCRIPTION	5TJ5	5TJ6	5TJ7	REMARKS
1	5TJ-25872-00	HOSE, BRAKE 1	1	1	1	
2	90201-10118	WASHER, PLATE	4	4	4	
3	90401-10172	BOLT, UNION	2	2	2	
4	5XE-W2587-00	MASTER CYLINDER SUB ASSY	1	1	1	
5	5NY-W0041-00	.CYLINDER KIT, MASTER	1	1	1	
6	5NY-25868-00	.BOOT, MASTER CYLINDER	1	1	1	
7	5XE-25854-00	.DIAPHRAGM, RESERVOIR	1	1	1	
8	5MV-25852-01	.CAP, RESERVOIR	1	1	1	
9	98706-04012	.SCREW, FLAT HEAD	2	2	2	
10	5CG-25715-00	.SEPARATOR ASSY	1	1	1	
11	5XE-25853-00	.FLOAT, RESERVOIR	1	1	1	
12	5MV-83922-00	LEVER 2	1	1	1	
13	5MV-2589F-00	BOLT, LEVER	1	1	1	
14	95701-06500	NUT, FLANGE	1	1	1	
15	5MV-25867-00	BRACKET, MASTER CYLINDER	1	1	1	
16	5MV-25833-00	BOLT, FITTING	2	2	2	
17	90465-16258	CLAMP	2	2	2	
18	91317-06014	BOLT	2	2	2	
19	5NY-26372-00	COVER, HANDLE LEVER 1	1	1	1	



5XD1100-C330

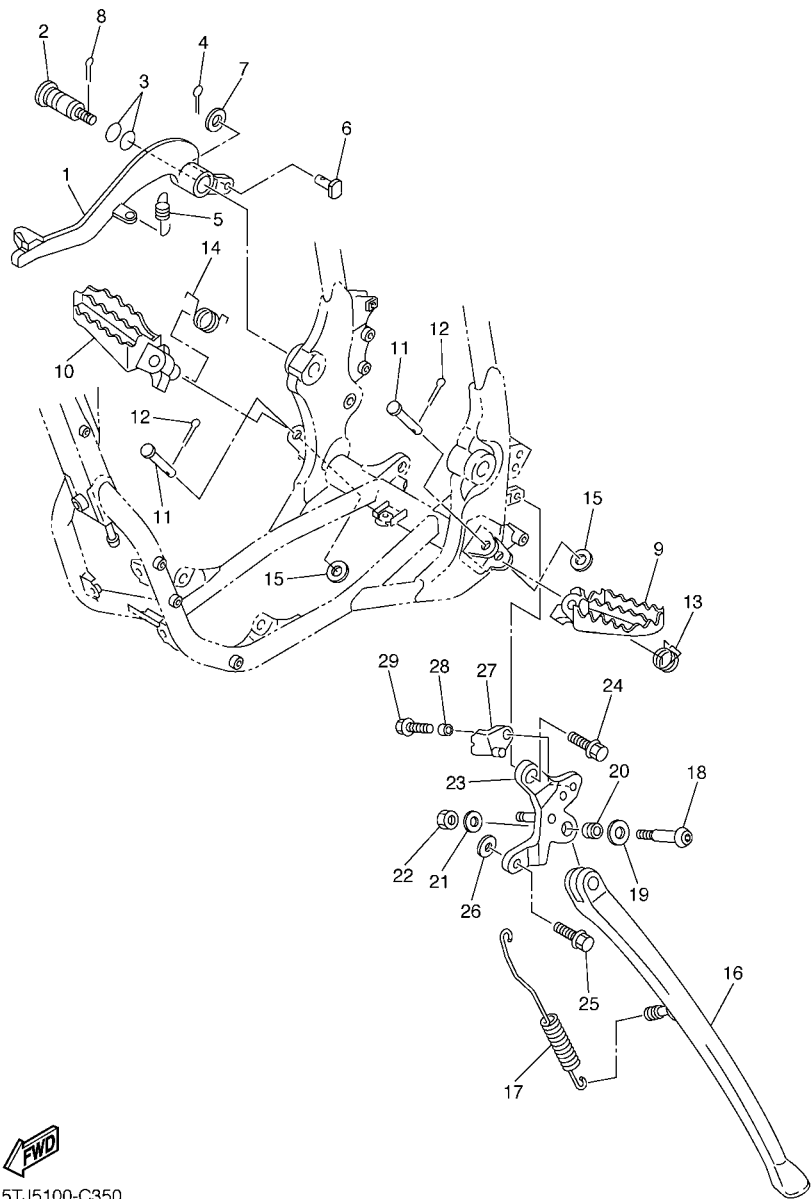
FIG. 35 STAND & FOOTREST



5TJ5100-C350

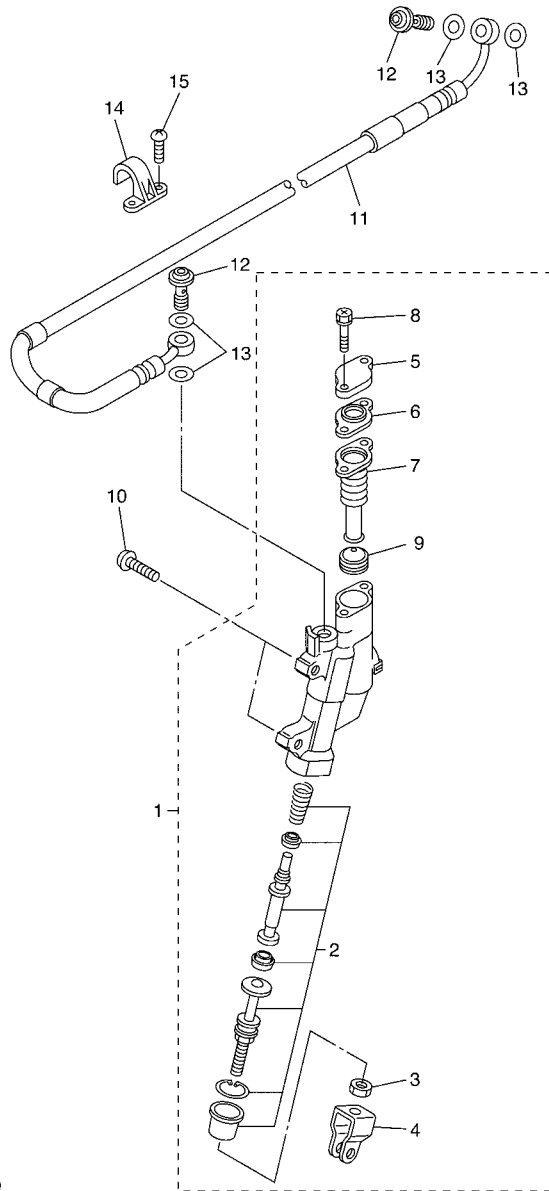
REF. NO.	PART NO.	DESCRIPTION	5TJ5	5TJ6	5TJ7	REMARKS
1	5TA-27200-00	PEDAL, BRAKE	1	1	1	
2	5JG-27217-00	BOLT	1	1	1	
3	93210-11073	O-RING	2	2	2	
4	91401-20012	PIN, COTTER	1	1	1	
5	90506-16500	SPRING, TENSION	1	1	1	
6	90240-08120	PIN, CLEVIS	1	1	1	
7	90201-08089	WASHER, PLATE	1	1	1	
8	90468-16191	CLIP	1	1	1	
9	5ET-27411-00	FOOTREST 1	1	1	1	
10	5ET-27421-00	FOOTREST 2	1	1	1	
11	90240-10142	PIN, CLEVIS	2	2	2	
12	91401-25015	PIN, COTTER	2	2	2	
13	90508-282B8	SPRING, TORSION	1	1	1	
14	90508-282B9	SPRING, TORSION	1	1	1	
15	90201-10119	WASHER, PLATE	2	2	2	
16	5TJ-27311-50	STAND, SIDE	1	1	1	
17	90506-30002	SPRING, TENSION	1	1	1	
18	90109-08051	BOLT	1	1	1	
19	92990-10200	WASHER, PLAIN	1	1	1	
20	90387-1003G	COLLAR	1	1	1	
21	92990-08200	WASHER, PLAIN	1	1	1	
22	90185-08055	NUT, SELF-LOCKING	1	1	1	
23	5TJ-21458-50	BRACKET, SIDE STAND	1	1	1	
24	95027-10020	BOLT, FLANGE	1	1	1	
25	95027-10030	BOLT, FLANGE	1	1	1	
26	90387-10019	COLLAR	1	1	1	
27	5TJ-27314-50	STOPPER	1	1	1	

FIG. 35 STAND & FOOTREST



5TJ5100-C350

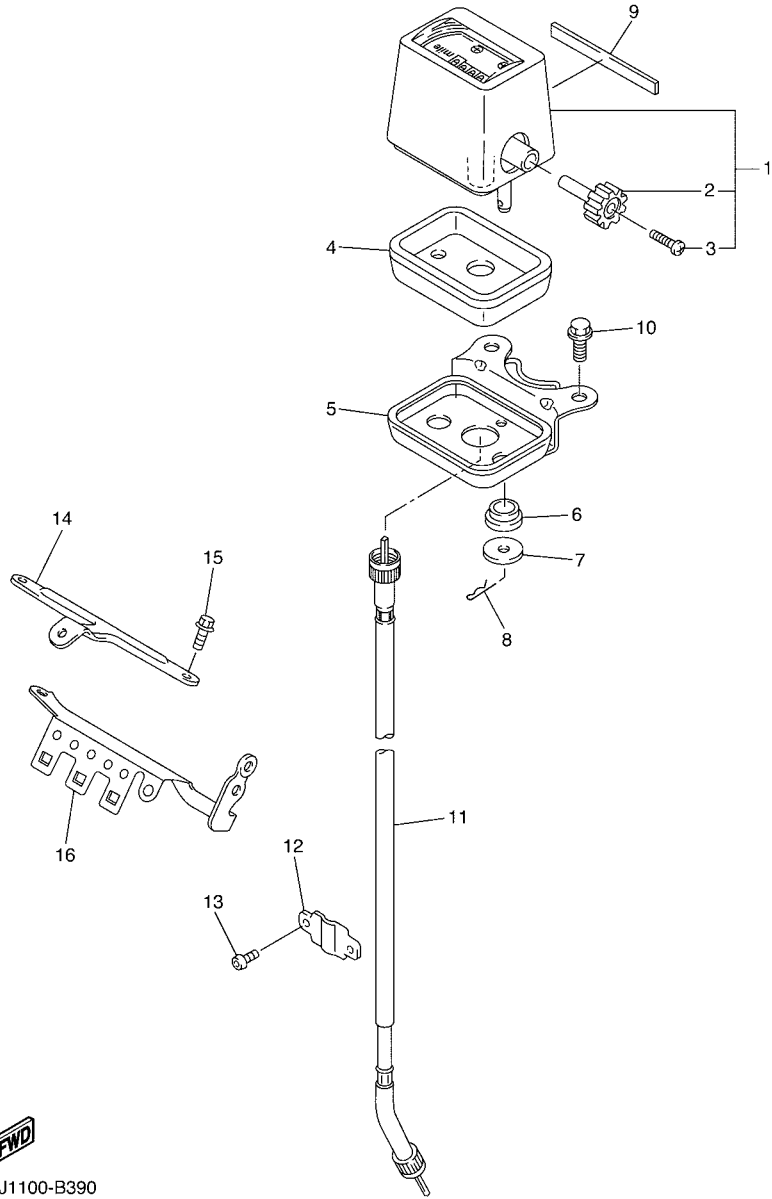
REF. NO.	PART NO.	DESCRIPTION	5TJ5	5TJ6	5TJ7	REMARKS
28	90387-06M24	COLLAR	1	1	1	
29	95807-06016	BOLT, FLANGE	1	1	1	



5TA1100-B350

FIG. 36 REAR MASTER CYLINDER

REF. NO.	PART NO.	DESCRIPTION	5TJ6	5TJ6	5TJ7	REMARKS
1	5UN-2583V-00	RR. MASTER CYLINDER ASSY.	1	1	1	
2	5UN-W0042-50	.CYLINDER KIT, MASTER	1	1	1	
3	5UN-27218-00	.NUT	1	1	1	
4	5UN-27222-00	.JOINT	1	1	1	
5	5UN-25852-50	.CAP, RESERVOIR	1	1	1	
6	5UN-2585B-00	.PLATE, DIAPHRAGM	1	1	1	
7	5UN-25854-00	.DIAPHRAGM, RESERVOIR	1	1	1	
8	5UN-27217-00	.BOLT	2	2	2	
9	5CG-25715-00	.SEPARATOR ASSY	1	1	1	
10	90111-06029	BOLT	2	2	2	
11	5UN-25873-00	HOSE, BRAKE 2	1	1	1	
12	90401-10172	BOLT, UNION	2	2	2	
13	90201-10118	WASHER, PLATE	4	4	4	
14	2VM-25876-00	HOLDER, BRAKE HOSE 2	2	2	2	
15	98507-05010	SCREW, PAN HEAD	4	4	4	

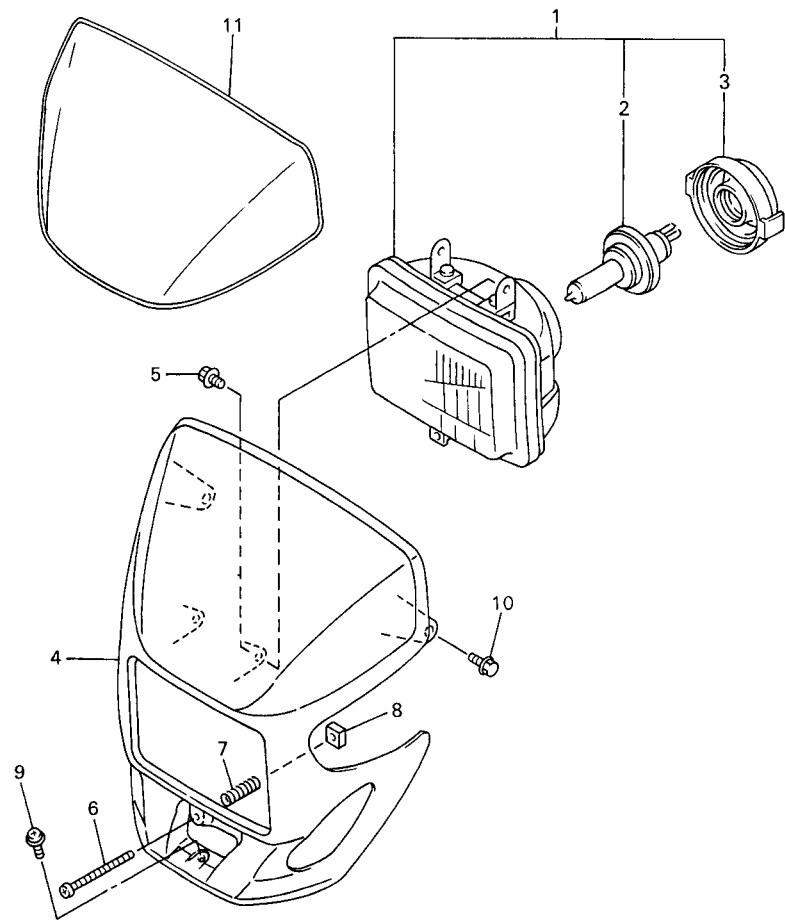



5TJ1100-B390

FIG. 39 METER

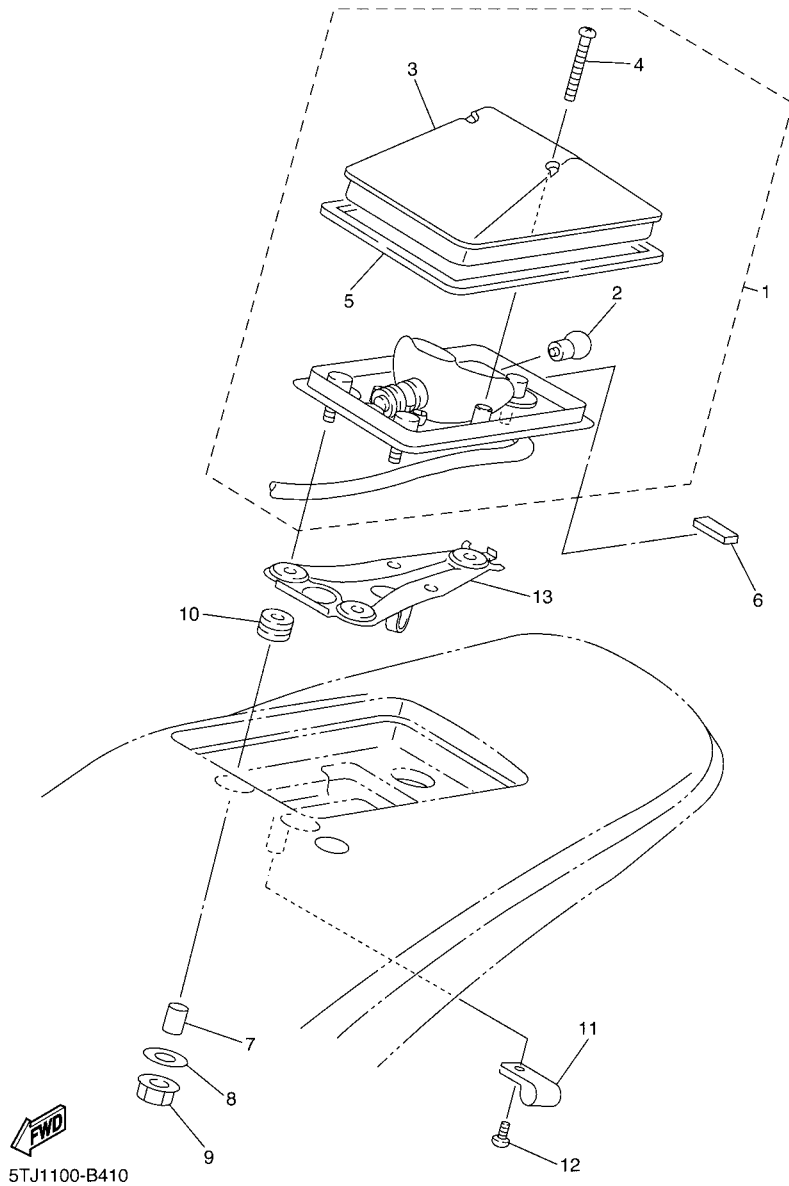
REF. NO.	PART NO.	DESCRIPTION	5TJ5	5TJ6	5TJ7	REMARKS
1	5TJ-8355W-00	TRIP METER COMP. (KM/H)			1	
2	1AE-83578-00	.KNOB, TRIP METER	1	1	1	
3	90157-02031	.SCREW, PAN HEAD	1	1	1	
4	4V5-83513-00	DAMPER	1	1	1	
5	5NG-83519-00	BRACKET, METER	1	1	1	
6	1M1-83526-00	DAMPER 2	2	2	2	
7	90201-05033	WASHER, PLATE	2	2	2	
8	437-83525-00	CLIP	2	2	2	
9	2HR-83592-00	DAMPER	1	1	1	
10	95027-06010	BOLT, FLANGE	2	2	2	
11	5BF-83550-00	SPEEDOMETER CABLE ASSY	1	1	1	
12	5BF-2317M-00	STAY 3	1	1	1	
13	92017-05008	BOLT, BUTTON HEAD	2	2	2	
14	5NG-84319-50	STAY, HEADLIGHT 2	1	1	1	
15	95027-08012	BOLT, FLANGE	2	2	2	
16	5TJ-8350E-00	BRACKET	1	1	1	

FIG. 40 HEADLIGHT



5NG1100-1380

REF. NO.	PART NO.	DESCRIPTION	5TJ5	5TJ6	5TJ7	REMARKS
1	5BF-84310-01	HEADLIGHT UNIT ASSY	1	1	1	
2	8G9-84314-00	.BULB (12V-60/55W)	1	1	1	(H4)HALOGEN
3	5BF-84397-00	.COVER, SOCKET	1	1	1	
4	5BF-84330-01	BODY ASSY	1	1	1	
5	55U-84337-00	BOLT, SPECIAL	2	2	2	
6	5BF-8433E-00	SCREW, ADJUSTING	1	1	1	
7	5BF-84335-00	SPRING	1	1	1	
8	5BF-84334-00	NUT, ADJUSTING	1	1	1	
9	90159-06189	SCREW, WITH WASHER	1	1	1	
10	95827-06010	BOLT, FLANGE	2	2	2	
11	5BF-2339E-00	GRAPHIC 1	1	1	1	



5TJ1100-B410

FIG. 41 TAILLIGHT

REF. NO.	PART NO.	DESCRIPTION	5TJ5	5TJ6	5TJ7	REMARKS
1	5TJ-84710-00	TAILLIGHT UNIT ASSY	1	1	1	
2	36Y-84714-40	.BULB, TAILLIGHT (12V-21/5W)	1	1	1	
3	4GY-84733-00	.LENS, TAILLIGHT	1	1	1	
4	97706-40530	.SCREW, TAPPING	2	2	2	
5	4GY-84723-00	.GASKET, TAIL LENS	1	1	1	
6	1HX-27415-00	PLATE, DAMPER	1	1	1	
7	90387-065L5	COLLAR	3	3	3	
8	90201-06057	WASHER, PLATE	3	3	3	
9	95707-06500	NUT, FLANGE	3	3	3	
10	90480-14102	GROMMET	3	3	3	
11	90461-11099	CLAMP	2	2	2	
12	97780-40010	SCREW, TAPPING	2	2	2	
13	5TJ-21677-00	PLATE, FITTING 3	1	1	1	

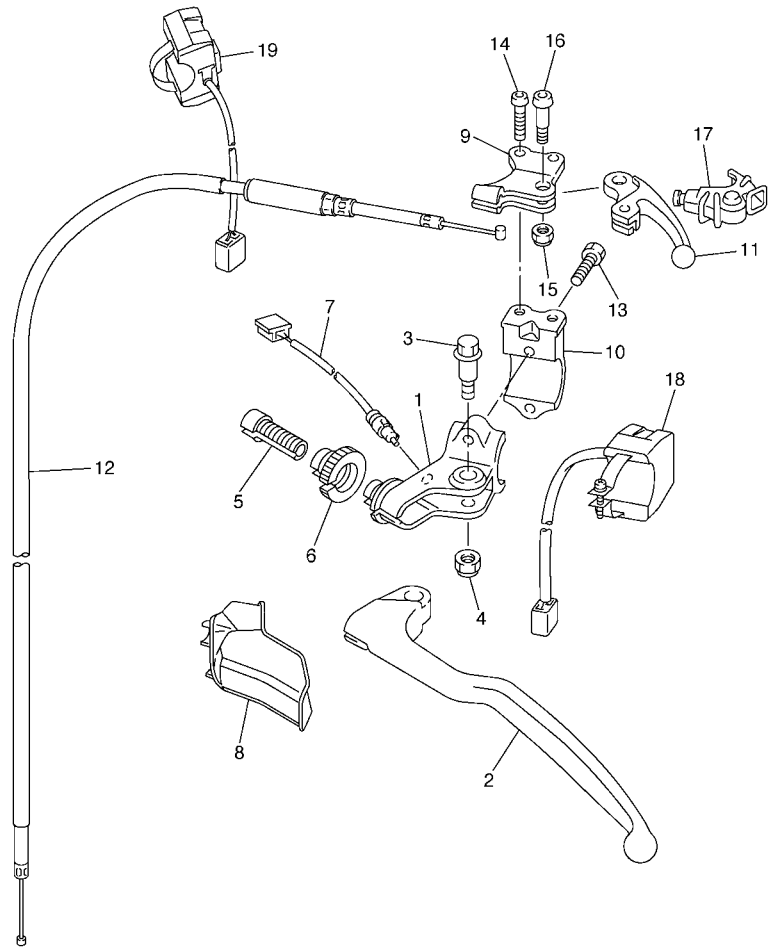


FIG. 42 HANDLE SWITCH & LEVER

REF. NO.	PART NO.	DESCRIPTION	5TJ5	5TJ6	5TJ7	REMARKS
1	5TJ-82911-50	HOLDER, LEVER 1	1	1	1	
2	5TJ-83912-00	LEVER 1	1	1	1	
3	90109-06034	BOLT	1	1	1	
4	5LP-84126-10	NUT, LENS FITTING	1	1	1	
5	5TA-26337-00	BOLT, ADJUSTING	1	1	1	
6	5HD-83951-00	BOLT, CABLE ADJUSTING	1	1	1	
7	5TJ-82917-00	SWITCH	1	1	1	
8	5TJ-26372-00	COVER, HANDLE LEVER 1	1	1	1	
9	5XD-82946-00	HOLDER, STARTER LEVER	1	1	1	
10	5XD-82913-00	HOLDER, LEVER LOWER 1	1	1	1	
11	5TA-83941-00	LEVER, STARTER	1	1	1	
12	5TA-26334-00	CABLE, STARTER 2	1	1	1	
13	90101-05033	BOLT	2	2	2	
14	92014-05012	BOLT, BUTTON HEAD	2	2	2	
15	95607-05100	NUT, U	1	1	1	
16	90149-05162	SCREW	1	1	1	
17	5TA-26339-00	BOOT	1	1	1	
18	5TJ-83976-00	SWITCH, HANDLE 1	1	1	1	
19	5TJ-83976-10	SWITCH, HANDLE 1	1	1	1	



5TJ5100-C420

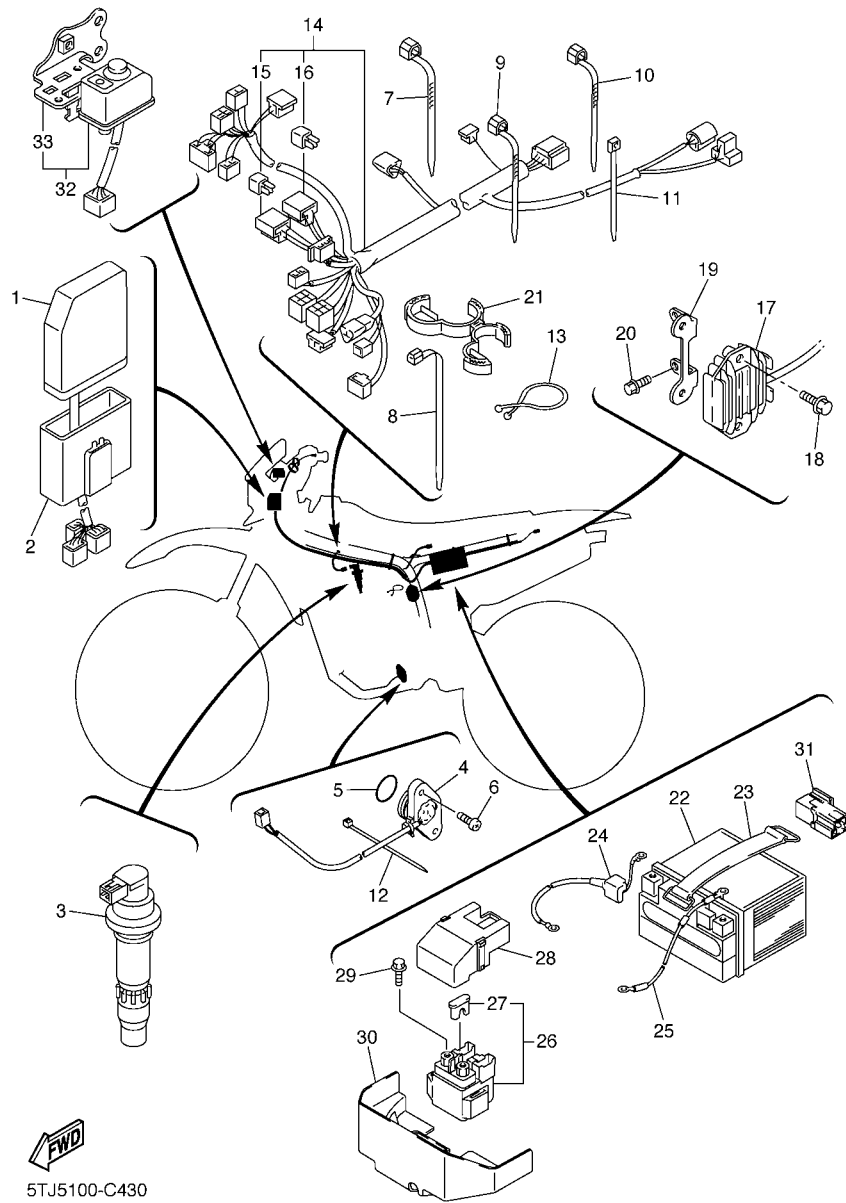
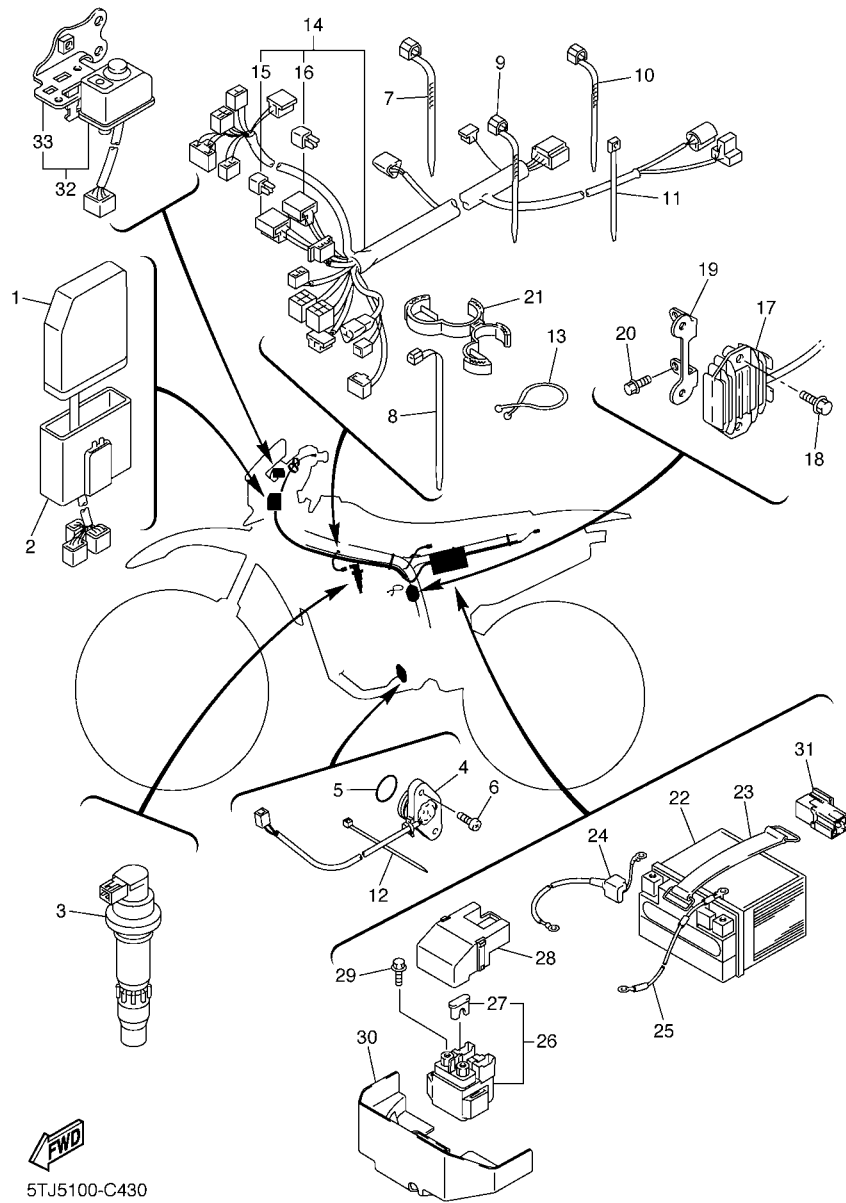


FIG. 43 ELECTRICAL 1

REF. NO.	PART NO.	DESCRIPTION	5TJ5	5TJ6	5TJ7	REMARKS
1	5TJ-85540-60	C.D.I. UNIT ASSY			1	
2	5TJ-85546-00	BAND	1	1	1	
3	5TA-82310-10	IGNITION COIL ASSY	1	1	1	
4	5TJ-82540-01	NEUTRAL SWITCH ASSY	1	1	1	
5	93210-21276	O-RING	1	1	1	
6	90154-05026	SCREW, BINDING	2	2	2	
7	90464-13077	CLAMP	4	4	4	
8	90465-13275	CLAMP	6	6	6	
9	90464-13073	CLAMP	5	5	5	
10	90464-15195	CLAMP	1	1	1	
11	90465-13152	CLAMP	4	4	4	
12	5Y9-12491-00	CLAMP 1	4	4	4	
13	90464-23041	CLAMP	1	1	1	
14	5TJ-82590-60	WIRE HARNESS ASSY			1	
15	5TJ-81980-00	.DIODE ASSY	1	1	1	
16	4WA-81980-00	.DIODE ASSY	1	1	1	
17	5TJ-81960-01	RECTIFIER & REGULATOR ASSY	1	1	1	
18	95027-06020	BOLT, FLANGE	2	2	2	
19	5TJ-2128A-00	BRACKET, REGULATOR	1	1	1	
20	95027-06010	BOLT, FLANGE	2	2	2	
21	90464-29223	CLAMP	1	1	1	
22	5TJ-82100-00	BATTERY ASSY (YTZ7S)	1	1	1	
23	8CY-82131-00	BAND, BATTERY	1	1	1	
24	5TJ-82115-00	WIRE, PLUS LEAD	1	1	1	
25	5TJ-82116-00	WIRE, MINUS LEAD	1	1	1	



5TJ5100-C430

FIG. 43 ELECTRICAL 1

REF. NO.	PART NO.	DESCRIPTION				REMARKS
			5TJ5	5TJ6	5TJ7	
26	5TJ-81940-10	STARTER RELAY ASSY	1	1	1	
27	42X-82151-00	.FUSE (10A-BL)	2	2	2	
28	5SL-82119-10	COVER, LEAD WIRE	1	1	1	
29	95027-06008	BOLT, FLANGE	2	2	2	
30	5TJ-81952-00	HOLDER, RELAY	1	1	1	
31	8DM-81950-00	RELAY ASSY	1	1	1	
32	5TJ-82510-00	MAIN SWITCH ASSY	1	1	1	
33	5TJ-82514-00	.STAY, MAIN SWITCH	1	1	1	

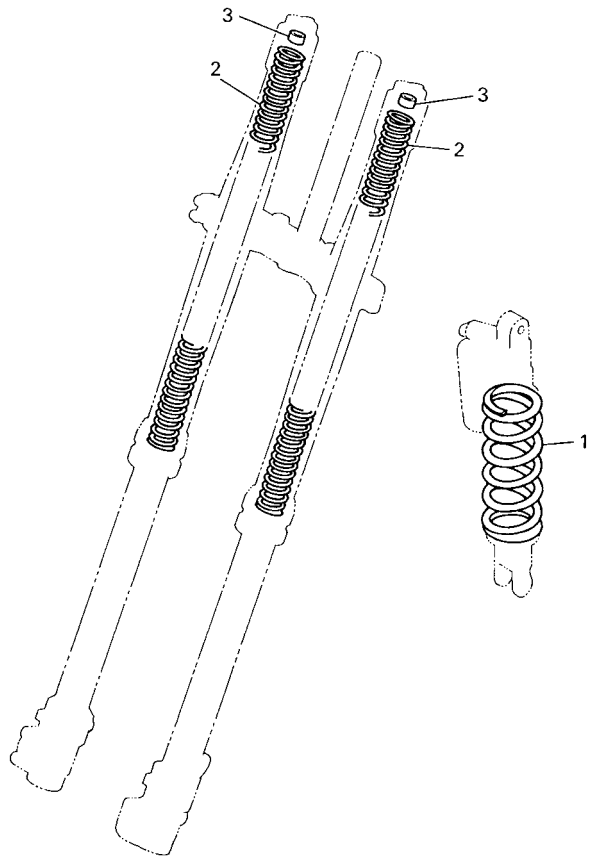


FIG. 44 ALTERNATE FOR CHASSIS

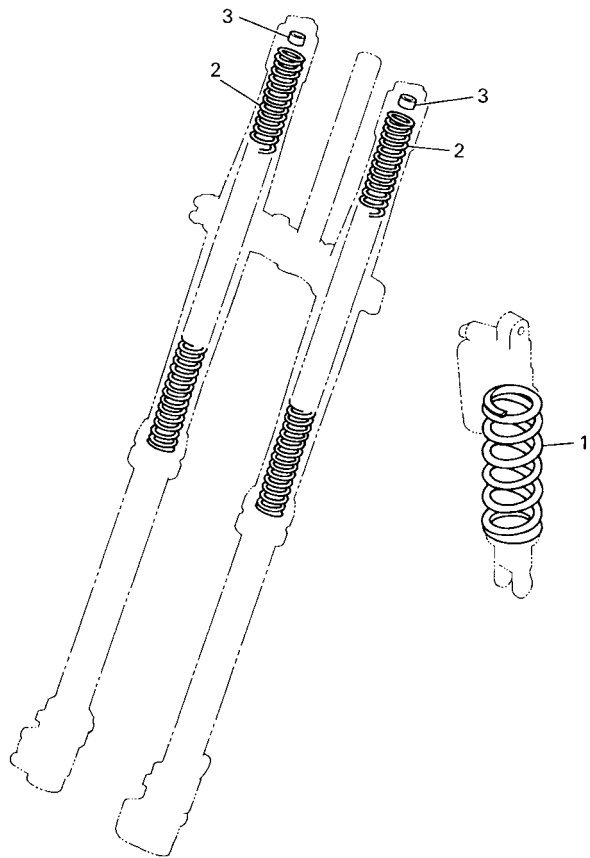
REF. NO.	PART NO.	DESCRIPTION	5TJ5	5TJ6	5TJ7	REMARKS
1	5UN-22212-00	SPRING (K=42N/MM)	1	1	1	AP
	5UN-22212-10	SPRING (K=44N/MM)	1	1	1	AP
	5UN-22212-20	SPRING (K=46N/MM)	1	1	1	AP
	5UN-22212-30	SPRING (K=48N/MM)	1	1	1	AP
	5UN-22212-40	SPRING (K=50N/MM)	1	1	1	AP
	5UN-22212-50	SPRING (K=52N/MM)	1	1	1	AP
	5UN-22212-60	SPRING (K=54N/MM)	1	1	1	AP
	5UN-22212-70	SPRING (K=56N/MM)	1	1	1	AP
	5UN-22212-A0	SPRING (K=APPROX.44N/MM)	1	1	1	AP
	5UN-22212-B0	SPRING (K=APPROX.46N/MM)	1	1	1	AP
	5UN-22212-C0	SPRING (K=APPROX.48N/MM)	1	1	1	AP
	5UN-22212-D0	SPRING (K=APPROX.50N/MM)	1	1	1	AP
	5UN-22212-E0	SPRING (K=APPROX.52N/MM)	1	1	1	AP
	5UN-22212-F0	SPRING (K=APPROX.54N/MM)	1	1	1	AP
5UN-22212-G0	SPRING (K=APPROX.56N/MM)	1	1	1	AP	
2	4SS-23141-10	SPRING (K=3.73N/MM)	2	2	2	AP
	4SS-23141-20	SPRING (K=3.82N/MM)	2	2	2	AP
	4SS-23141-30	SPRING (K=3.92N/MM)	2	2	2	AP
	4SS-23141-40	SPRING (K=4.02N/MM)	2	2	2	AP
	4SS-23141-50	SPRING (K=4.12N/MM)	2	2	2	AP
	4SS-23141-60	SPRING (K=4.22N/MM)	2	2	2	AP
	4SS-23141-70	SPRING (K=4.31N/MM)	2	2	2	AP
	5BE-23141-L0	SPRING (K=4.41N/MM)	2	2	2	AP
	5BE-23141-00	SPRING (K=4.51N/MM)	2	2	2	AP
	5GR-23141-00	SPRING (K=4.61N/MM)	2	2	2	AP
	5ET-23141-20	SPRING (K=APPROX.3.92N/MM)	2	2	2	AP
	5ET-23141-00	SPRING (K=APPROX.4.02N/MM)	2	2	2	AP



5BE100-8390

F6

FIG. 44 ALTERNATE FOR CHASSIS



REF. NO.	PART NO.	DESCRIPTION	5TJ5	5TJ6	5TJ7	REMARKS
2	5ET-23141-30	SPRING (K=APPROX.4.12N/MM)	2	2	2	AP
	5ET-23141-10	SPRING (K=APPROX.4.22N/MM)	2	2	2	AP
	5ET-23141-40	SPRING (K=APPROX.4.31N/MM)	2	2	2	AP
3	4SS-23364-L0	COLLAR 2	2	2	2	UN

 5BE100-8390

NUMERICAL INDEX

PART NO.	GRID NO.	PART NO.	GRID NO.	PART NO.	GRID NO.	PART NO.	GRID NO.	PART NO.	GRID NO.	PART NO.	GRID NO.
5TA-11102-10	B - 2	3LD-12168-R1	B - 5	5BE-13411-00	B - 10	5TJ-1443A-00	B - 13	5GS-14933-00	C - 3	4JT-15381-01	C - 5
4KG-1111G-00	B - 2	3LD-12168-U1	B - 5	5TA-13412-00	B - 10	5BF-1443E-00	B - 13	5GS-14933-40	C - 2	5BE-15383-01	C - 5
5TA-11133-10	B - 2	3LD-12168-W1	B - 5	5TA-13440-00	B - 11	5NY-14442-00	B - 12	5TA-14934-00	C - 3	5TJ-15411-10	C - 6
5TA-11134-10	B - 2	3LD-12168-Y1	B - 5	5BE-13447-10	B - 11	5TJ-14451-00	B - 12	5GS-14940-00	C - 3	5TA-15415-01	C - 6
5TA-11166-00	B - 2	3LD-12169-11	B - 5	5TA-13464-00	B - 10	5TA-14453-00	B - 12	5JG-14940-17	C - 2	5TA-15421-00	C - 5
5BE-11167-00	B - 2	3LD-12169-31	B - 6	5TA-13465-00	B - 10	5NY-14455-10	B - 12	5JG-14940-18	C - 2	5XD-15431-00	C - 6
371-11167-01	B - 2	3LD-12169-50	B - 6	5XD-13597-00	B - 12	5TJ-14457-00	B - 13	5JG-14940-19	C - 2	5TA-15441-01	C - 5
5TA-11181-00	B - 2	3LD-12169-70	B - 6	5TJ-14101-10	B - 14	5TJ-14458-00	B - 12	5TA-14943-15	C - 2	5TJ-15451-00	C - 6
5TA-11191-00	B - 2	3LD-12169-90	B - 6	5TJ-14101-50	B - 14	5TJ-14459-00	B - 12	5TA-14943-19	C - 2	5TA-15453-00	C - 7
5TA-11193-00	B - 2	3LD-12169-E0	B - 6	5NL-14105-00	C - 2	5TJ-14462-00	B - 13	4MX-14943-37	B - 15	5TA-15462-00	C - 6
5TA-11311-01	B - 3	3LD-12169-G0	B - 6	4MX-14115-00	C - 3	5TJ-14475-00	B - 12	4MX-14943-38	B - 15	5TJ-1549B-00	C - 6
5TA-11351-00	B - 3	3LD-12169-J0	B - 6	3TJ-14137-40	B - 12	5JG-14521-00	B - 15	4MX-14943-39	B - 15	5TG-15515-01	C - 9
5TJ-11400-10	B - 4	3LD-12169-L0	B - 6			5JG-14522-00	B - 14	4MX-14943-40	B - 15	5TJ-15517-00	C - 9
5TJ-11412-10	B - 4	3LD-12169-N0	B - 6	5BE-14146-00	C - 3	5JG-14531-00	C - 3	4MX-14943-41	B - 15	4GY-15521-00	C - 9
5TA-11422-00	B - 4	3LD-12169-T0	B - 6	5PA-14146-00	C - 3	3TJ-14536-40	C - 2	4MX-14943-42	B - 15	5TJ-15560-00	C - 9
5BE-11454-00	B - 4	5TA-12170-00	B - 7	5TA-14155-00	C - 3	5JG-14546-01	B - 14	4MX-14943-88	B - 15	5TJ-15590-00	C - 9
5TA-11455-11	B - 4	5TJ-12180-10	B - 7	633-14159-00	C - 2	676-14548-00	C - 2	4MX-14943-89	B - 15	5XD-15601-00	C - 8
5TA-11531-01	B - 4	5TA-12210-00	B - 7	3TJ-14159-40	B - 15	4MX-14561-00	C - 3	4MX-14943-90	B - 15	5XD-15620-00	C - 8
5TA-11536-00	B - 4	4FM-12213-00	B - 7	5TA-14171-00	C - 2	6H4-14561-00	C - 2	4MX-14943-91	B - 15	5XD-15621-00	C - 8
5JG-11603-00	B - 4	5BE-12241-00	B - 7	3TJ-14191-40	C - 2	5NX-14562-00	C - 3	4MX-14943-92	B - 15	5TA-15651-00	C - 8
5TJ-11631-00	B - 4	5TA-12251-01	B - 7	5TA-14196-00	C - 3	5JG-14565-00	C - 3	5JG-14947-00	B - 15	5GR-15664-00	C - 8
5TA-11633-00	B - 4	5TA-12252-00	B - 7	5TA-14197-00	C - 3	5JG-14591-00	C - 3	4MX-14948-03	B - 15	5SG-15668-00	C - 8
5XD-11651-00	B - 4	5BE-12280-10	F - 8	5NX-14216-00	C - 3	5TJ-14591-00	C - 3	4MX-14948-04	B - 15	4GY-15671-00	C - 8
5TA-11681-00	B - 4	5NL-12283-00	F - 8	5TA-14227-00	B - 12	688-14592-00	B - 14	4MX-14948-05	B - 15	214-15686-00	C - 8
5TA-12111-00	B - 5	5BE-12292-10	F - 8	5TA-14239-00	B - 12	5TA-14611-00	C - 4	4MX-14948-06	B - 15	5TA-16111-00	C - 10
5TA-12112-00	B - 5	5TG-12299-00	B - 7	5TA-14261-00	C - 3	3VD-14613-01	C - 4	4MX-14948-07	B - 15	5XD-16150-10	C - 10
5TA-12113-00	B - 5	5TJ-1240A-00	B - 9	5JG-14264-00	B - 15	5TA-14628-00	C - 4	4MX-14948-08	B - 15	5XD-16154-00	C - 10
5TA-12114-00	B - 5	5BE-12422-20	B - 8	3TJ-14267-40	B - 14	5TJ-14710-50	C - 4	4JT-1494F-07	C - 2	5TA-16321-00	C - 10
4GY-12117-00	B - 5	5BE-12439-00	B - 8	5JG-14275-00	B - 15	5TJ-14710-60	C - 4	3TJ-1494F-10	C - 2	5JG-16325-00	C - 10
5BE-12117-00	B - 5	5DJ-12451-00	B - 8	5TA-14293-00	B - 12	5TJ-14710-70	C - 4	3TJ-1494F-11	C - 2	5JG-16351-00	C - 10
1AA-12118-00	B - 5	5GR-12458-00	B - 8	3TJ-14293-40	C - 2	5XD-14714-00	C - 4	4JT-1494F-11	C - 2	5JG-16356-00	C - 10
1WG-12118-00	B - 5	5TJ-12461-00	B - 9	5TA-14335-00	C - 2	4BD-14766-00	C - 4	3TJ-1494F-12	C - 2	5TA-16357-00	C - 10
33M-12119-00	B - 5	5HD-12462-00	B - 9	5JG-14346-00	C - 3	5BE-14788-00	C - 4	3TJ-1494F-13	B - 15	5TA-16371-02	C - 10
4SV-12119-00	B - 5	5TA-12481-00	B - 9	5TA-14371-00	C - 2	5TJ-14916-D1	B - 14	3TJ-1494F-14	C - 2	5TA-16381-00	C - 10
5TA-12121-00	B - 5	5TA-12482-00	B - 9	5TA-14374-00	C - 3	5TJ-14916-DM	B - 14	3TJ-1494F-15	C - 2	5TA-16384-01	C - 10
3GM-12126-00	B - 5	5Y9-12491-00	F - 4	5JG-14379-00	C - 3	5TJ-14916-DN	B - 14	5JG-14951-00	B - 14	5BF-17121-00	C - 11
3FV-12153-09	B - 6	5BE-12564-00	B - 8	5JG-14388-00	B - 14	5TJ-14916-DP	B - 14	5GS-14958-00	C - 3	5TJ-17131-00	C - 11
3FV-12153-10	B - 6	5TA-12576-00	B - 9	4MX-14392-00	C - 2	5TJ-14916-DR	B - 14	5JG-14959-00	B - 14	5TJ-17141-10	C - 11
3LD-12168-00	B - 5	5TA-12578-00	B - 9	5TJ-14401-10	B - 12	5TJ-14916-DS	B - 14	5JG-14984-00	C - 2	5TJ-17151-00	C - 11
3LD-12168-20	B - 5	5SG-12579-00	B - 9	5TJ-1441A-00	B - 13	5TJ-14916-DT	B - 14	4SR-14985-00	C - 2	5BF-17211-00	C - 11
3LD-12168-40	B - 5	5TA-12579-00	B - 9	5TJ-1441E-10	B - 12	5TJ-14916-W1	B - 14	5TA-14987-00	B - 12	5TJ-17221-00	C - 11
3LD-12168-60	B - 5	583-13113-00	C - 7	5TJ-1441G-00	B - 12	5TJ-14916-WN	B - 14	5TJ-14987-00	C - 3	5TJ-17231-00	C - 11
3LD-12168-80	B - 5	5TG-13161-00	B - 11	5TJ-14425-10	B - 12	5TJ-14916-WP	B - 14	5TA-14991-00	C - 2	5TJ-17241-10	C - 11
3LD-12168-A0	B - 5	5TA-13171-00	B - 11	5TJ-14426-00	B - 12	5TJ-14916-WR	B - 14	4FN-14997-00	B - 14	5BF-17251-00	C - 11
3LD-12168-F0	B - 5	5TA-13300-00	B - 10	5TA-14428-00	B - 12	5TJ-14916-WS	B - 14	5TA-14997-00	C - 3	5BE-17402-00	C - 11
3LD-12168-H1	B - 5	5TA-13320-00	B - 10	5TJ-1442A-00	B - 13	5TJ-14916-WT	B - 14	5TJ-15150-10	C - 5	5TJ-17411-00	C - 11
3LD-12168-K1	B - 5	5TA-13341-00	B - 10	5TJ-14436-00	B - 12	5TJ-14916-WU	B - 14	5TA-15362-01	D - 2	5NG-17460-00	C - 12
3LD-12168-M1	B - 5	5BE-13342-00	B - 10	5TJ-14437-10	B - 12	5JG-14922-00	C - 3	3Y1-15363-00	C - 6	5TA-17466-00	C - 5

NUMERICAL INDEX

PART NO.	GRID NO.	PART NO.	GRID NO.	PART NO.	GRID NO.	PART NO.	GRID NO.	PART NO.	GRID NO.	PART NO.	GRID NO.
4L0-17471-00	C - 5	5TJ-2173E-10	D - 4	5UN-22212-A0	F - 6	5ET-23141-40	F - 7	5TJ-24181-00	D - 13	5UN-2583V-00	E - 11
5GR-17471-00	C - 12	5TJ-2173F-10	D - 4	5UN-22212-B0	F - 6	4SS-23141-50	F - 6	5BE-24182-00	D - 13	5DH-25849-00	E - 3
5TJ-18101-00	C - 14	5TJ-21740-00	D - 4	5UN-22212-C0	F - 6	4SS-23141-60	F - 6	5NY-24183-00	D - 13	5MV-25852-01	E - 8
5UL-18110-00	C - 14	3JD-21748-00	D - 3	5UN-22212-D0	F - 6	4SS-23141-70	F - 6	5NY-24186-00	D - 13	5UN-25852-50	E - 11
5MW-18122-00	C - 14	5TJ-2174A-00	D - 4	5UN-22212-E0	F - 6	4SR-23141-L0	D - 10	5TJ-24240-10	D - 14	5XE-25853-00	E - 8
3XK-18140-00	C - 13	5TJ-2174T-00	D - 3	5UN-22212-F0	F - 6	5BE-23141-L0	F - 6	3XJ-24380-00	D - 13	5UN-25854-00	E - 11
5TJ-18172-00	C - 14	5TA-21756-00	C - 15	5UN-22212-G0	F - 6	5GR-23141-L0	D - 10	2GU-24500-01	D - 13	5XE-25854-00	E - 8
3XJ-18173-00	C - 14	2TK-21757-00	B - 13	3SP-22213-00	D - 7	5DH-23142-L0	D - 10	4X8-24512-00	D - 13	5UN-2585B-00	E - 11
3XJ-18178-00	C - 14	5TJ-21757-00	B - 13	5XE-22214-00	D - 8	5HD-23144-L0	D - 10	3AJ-24523-00	D - 13	5MV-25867-00	E - 8
3XJ-18182-00	C - 14	5MV-2175C-00	D - 4	5MV-22224-00	D - 7	5UN-23145-L0	D - 10	3AJ-24534-00	D - 13	5NY-25868-00	E - 8
3XJ-18184-00	C - 14	4XV-2177L-00	B - 12	4JX-22226-00	D - 7	5UN-23146-L0	D - 10	5NY-24610-00	D - 13	5TJ-25872-00	E - 8
4EW-18185-00	C - 14	5XD-21781-00	D - 4	3SP-22234-00	D - 7	5DH-23149-L0	D - 10	5TJ-2470F-50	D - 15	5UN-25873-00	E - 11
5BE-18501-00	C - 13	5GS-21871-00	D - 4	5NY-22241-00	D - 8	5DH-2314E-00	E - 3	5TJ-24710-50	D - 15	5DH-25875-00	E - 3
5BE-18502-10	C - 13	26H-21874-00	D - 4	5XE-22242-00	D - 8	5XE-2314F-L0	D - 12	5NY-25104-00	E - 2	2VM-25876-00	E - 11
5BE-18503-00	C - 13	26H-21875-00	D - 4	5DH-22253-00	D - 7	5XE-2314G-L0	D - 12	5NG-25111-50	E - 2	5MV-2589F-00	E - 8
5NL-18541-00	C - 13	5UN-22110-00	D - 5	5MV-22253-00	D - 7	5TA-2314H-00	D - 12	5NY-25117-00	E - 2	5UN-25914-00	E - 6
278-18542-00	C - 13	5NY-22121-00	D - 5	4AA-22259-40	D - 7	5TJ-2314J-00	D - 12	5BE-25181-00	E - 2	5DH-25914-50	E - 6
5DH-18562-00	C - 5	5XE-22122-00	D - 6	4AA-22259-60	D - 7	4SS-23153-L0	D - 10	5NY-25183-00	E - 2	3SP-25914-51	E - 3
5TJ-21101-50	C - 15	5UN-22128-00	D - 5	4AA-22259-80	D - 7	4SS-23158-L0	D - 10	5NG-25190-50	E - 2	5DH-25916-00	E - 3
5TA-21161-00	C - 15	5NY-22141-01	D - 5	5UN-22355-00	D - 5	5TJ-2316A-50	D - 10	5GS-25304-00	E - 4		E - 6
5TJ-21190-50	C - 15	5UN-22151-00	D - 5	4EW-22474-00	D - 7	5TJ-2316A-60	D - 10	5ET-25311-00	E - 4	3JD-25917-00	E - 3
5TJ-2128A-00	F - 4	5JG-22156-00	D - 5	3JE-22475-00	D - 7	5TJ-23170-50	D - 10	5ET-25317-00	E - 4		E - 6
5TJ-21335-00	C - 15	5UN-22176-00	D - 7	5NY-22475-00	D - 7	5TJ-23170-60	D - 10	4XM-25364-00	E - 4	5DH-25919-00	E - 3
5NG-21338-00	D - 2	4EW-22178-01	C - 15	5UN-22898-60	E - 6	5ET-23171-L0	D - 10	5ET-25367-00	E - 5	5DH-25919-50	E - 6
5TJ-21338-00	D - 2	3JD-22178-10	C - 15	5TJ-23102-50	D - 10	5BF-2317M-00	E - 14	5ET-25381-00	E - 5	8CR-25924-00	E - 6
5HD-2135F-00	D - 6	5NY-2217A-00	D - 5	5TJ-23102-60	D - 10	5DH-23183-00	D - 7	5TJ-25383-50	E - 5	3SP-25926-51	E - 3
5XE-2135F-00	D - 6	5XE-2217F-00	D - 6	5TJ-23102-80	D - 10	509-23184-L0	D - 7	5NY-25388-00	E - 5	5DH-25933-00	E - 3
5TA-21417-00	D - 2	5MV-22184-00	D - 7	5TJ-23103-50	D - 10	5MV-23195-L0	D - 10	5NY-25389-00	E - 5	1UY-25937-51	E - 3
5XD-21425-00	C - 15	5UN-22199-00	D - 5	5TJ-23103-60	D - 11	5TJ-2319U-00	D - 9	3JE-25394-00	E - 4		E - 6
5XD-21425-10	C - 15	5TJ-22201-50	D - 7	5TJ-23103-80	D - 11	5HC-2331E-00	D - 12	5SF-25394-00	E - 2	4XM-26111-00	E - 7
5TJ-21458-50	E - 9	5TJ-22201-60	D - 7	5BF-23110-L0	D - 11	5UP-23340-L0	D - 11	5NY-25448-00	E - 4	5BE-26240-00	E - 7
5TA-21471-00	D - 2	5TJ-22201-70	D - 7	5UN-23111-L0	D - 10	4SS-23346-L0	D - 12	5GS-25448-50	E - 4	4GY-26241-00	E - 7
5TA-2147A-00	D - 2	5TJ-22201-80	D - 7	5DH-23118-L0	D - 10	5NY-23346-L0	D - 11	5NY-25449-00	E - 4	4GY-26242-00	E - 7
5TA-2147E-00	D - 2	5TJ-22210-50	D - 7	5DH-23120-L0	D - 10	3SP-23356-L0	D - 12	5NY-25450-00	E - 4	3Y1-26249-00	E - 7
5TJ-2147F-00	D - 2	5TJ-22210-60	D - 7	5TJ-23126-50	D - 10	4SS-23364-L0	F - 7	5GS-25450-50	E - 4	5BE-26281-00	E - 7
5HD-21511-00	D - 3	5TJ-22210-70	D - 7	3JD-2312G-L0	D - 10	4DA-23389-00	D - 9	5NY-25451-00	E - 4	5BE-26282-00	E - 7
5UN-2153A-00	D - 6	5TJ-22210-80	D - 7	5TJ-23136-50	D - 10	4GY-23389-00	D - 9	5NY-25452-00	E - 4	5SF-26287-00	E - 7
4XL-2153A-10	D - 12	5UN-22212-00	F - 6	5BE-23141-00	F - 6	5HD-23393-L0	D - 10	5GS-25452-50	E - 4	5XD-26302-00	E - 7
4ES-2153E-01	D - 3	5UN-22212-10	F - 6	5ET-23141-00	F - 6	5BF-2339E-00	E - 15	5CG-25715-00	E - 8	5TA-26334-00	F - 3
5TJ-21610-50	D - 3	5UN-22212-20	F - 6	5GR-23141-00	F - 6	4EW-23416-00	D - 9		E - 11	5TJ-26335-50	E - 7
5XD-21635-00	D - 3	5UN-22212-30	D - 7	5NL-23141-00	D - 10	5PH-23435-10	D - 9	5DH-25718-01	E - 6	5TA-26337-00	F - 3
5TJ-2163G-10	D - 3		F - 6	4SS-23141-10	F - 6	5XE-23441-00	D - 9	5UN-2580T-00	E - 3	5TA-26339-00	F - 3
5TA-21642-00	D - 3	5UN-22212-40	F - 6	5ET-23141-10	F - 7	5TJ-24110-50	D - 13	5UN-2580W-10	E - 6	5HD-26342-00	E - 7
5TJ-21677-00	F - 2	5UN-22212-50	D - 7	4SS-23141-20	F - 6	4EW-2412F-00	D - 13	5MV-2581T-00	E - 3	583-26352-00	F - 8
5TJ-21711-00	D - 4		F - 6	5ET-23141-20	F - 6	5XE-24144-00	D - 13	5UN-25827-60	E - 6	5NY-26372-00	E - 8
5TJ-21721-00	D - 4	5UN-22212-60	D - 7	4SS-23141-30	F - 6	5SF-24173-00	D - 13	5UN-25828-60	E - 6	5TJ-26372-00	F - 3
5TJ-2172A-00	D - 4		F - 6	5ET-23141-30	F - 7	5XE-24176-00	D - 13	5NY-2582W-00	E - 6	5TA-27200-00	E - 9
5TJ-21730-00	D - 4	5UN-22212-70	F - 6	4SS-23141-40	F - 6	22W-24181-00	C - 4	5MV-25833-00	E - 8	5JG-27217-00	E - 9

NUMERICAL INDEX

PART NO.	GRID NO.	PART NO.	GRID NO.	PART NO.	GRID NO.	PART NO.	GRID NO.	PART NO.	GRID NO.	PART NO.	GRID NO.
5UN-27217-00	E - 11	1M1-83526-00	E - 14	90105-05361	D - 9	90170-24373	D - 9	90201-286K9	D - 9	90445-09220	D - 13
5UN-27218-00	E - 11	5BF-83550-00	E - 14	90105-06027	B - 2	90179-06500	B - 3	90202-05193	D - 13	90445-11185	D - 13
5UN-27222-00	E - 11	5TJ-8355W-00	E - 14	90105-06553	C - 5	90179-06568	D - 5	90202-08045	B - 14	90445-112K0	B - 2
5TJ-27311-50	E - 9	5TJ-8355W-10	E - 14			90179-08299	E - 5	90206-06090	C - 4	90450-22017	B - 9
5TJ-27314-50	E - 9	1AE-83578-00	E - 14	90105-08057	C - 4	90179-10658	C - 15	90209-21332	C - 11		B - 10
5ET-27411-00	E - 9	2HR-83592-00	E - 14	90105-08120	C - 15	90179-12657	E - 12	90209-26348	C - 11	90450-25037	B - 9
1HX-27415-00	F - 2	5TJ-83912-00	F - 3	90105-08659	E - 3	90179-16672	E - 2	90215-14287	B - 4	90450-28014	B - 9
5ET-27421-00	E - 9	5BE-83913-00	F - 8	90105-10099	C - 15	90179-20001	C - 10	90215-20231	C - 10	90450-57004	B - 12
5TA-27491-00	E - 6	5MV-83922-00	E - 8	90105-104A7	B - 2			90215-21003	C - 10	90450-59002	B - 12
5TA-2814F-00	D - 2	5TA-83941-00	F - 3	90105-106A3	B - 2	90179-28650	D - 9		C - 12	90450-61001	B - 12
5ET-28166-00	D - 2	5HD-83951-00	F - 3	90105-10733	C - 15	90183-06023	B - 13	90240-08120	E - 9	90461-10136	C - 5
5TJ-2831V-00	D - 9	5TJ-83976-00	F - 3	90109-06034	F - 3	90185-08055	E - 9	90240-10142	E - 9	90461-11099	F - 2
3FV-28386-00	B - 13	5TJ-83976-10	F - 3	90109-063F8	C - 13	90185-08169	E - 4	90267-32146	B - 12	90464-13073	F - 4
5TJ-81410-01	E - 12	583-83981-00	F - 8	90109-06418	B - 7	90185-10060	D - 8	90280-03006	B - 4	90464-13077	F - 4
5TJ-81450-20	E - 12	5LP-84126-10	F - 3	90109-065G2	B - 11	90185-14007	D - 6	90338-18064	B - 7	90464-15195	F - 4
5TJ-81801-00	E - 13	5BF-84310-01	E - 15	90109-065G4	E - 6	90185-16127	D - 5	90338-18176	D - 2	90464-23041	F - 4
5TJ-8183G-00	E - 13	8G9-84314-00	E - 15	90109-066F0	B - 2	90185-20168	E - 5	90340-12112	B - 2	90464-29223	F - 4
50W-81846-M0	E - 13	5NG-84319-50	E - 14	90109-08051	E - 9	90201-05033	E - 14	90340-14128	C - 6	90465-10017	C - 6
5TJ-81890-00	E - 13	5BF-84330-01	E - 15	90109-081G1	E - 4	90201-06057	F - 2	90340-27002	C - 6	90465-13152	D - 13
5TJ-81940-10	F - 5	5BF-84334-00	E - 15	90110-06004	C - 9	90201-06557	D - 3	90387-06009	D - 3		F - 4
8DM-81950-00	F - 5	5BF-84335-00	E - 15	90110-06058	B - 10	90201-06571	B - 9	90387-06065	B - 9	90465-13275	F - 4
5TJ-81952-00	F - 5	55U-84337-00	E - 15	90110-08035	C - 8	90201-08089	E - 9	90387-065L5	F - 2	90465-16258	E - 8
5TJ-81953-00	B - 13	5BF-8433E-00	E - 15	90110-08096	C - 15	90201-08326	E - 5	90387-06M24	E - 10	90467-09006	D - 4
5TJ-81960-01	F - 4	5BF-84397-00	E - 15	90111-06029	E - 11	90201-08410	C - 3	90387-086N4	C - 15	90467-10008	D - 13
4WA-81980-00	F - 4	5TJ-84710-00	F - 2	90119-05071	D - 9	90201-08512	B - 8	90387-10019	E - 9	90467-11106	B - 2
5TJ-81980-00	F - 4	36Y-84714-40	F - 2	90119-06001	D - 2	90201-086P8	C - 4	90387-1003G	E - 9	90467-14015	B - 2
5TJ-82100-00	F - 4	4GY-84723-00	F - 2	90119-06051	D - 4			90387-124F4	C - 14	90467-17089	B - 13
5TJ-82115-00	F - 4	4GY-84733-00	F - 2	90119-06096	D - 3	90201-087A9	C - 8	90387-16005	D - 5	90468-16191	E - 9
5TJ-82116-00	F - 4	5TJ-85540-50	F - 4	90119-06192	D - 3	90201-10025	B - 2	90387-16007	D - 5	90480-01512	D - 3
5SL-82119-10	F - 5	5TJ-85540-60	F - 4	90119-06225	D - 3	90201-10118	E - 8	90387-167Y9	D - 5	90480-14102	F - 2
8CY-82131-00	F - 4	5TJ-85546-00	F - 4	90119-08238	D - 4			90387-18004	D - 5	90480-14532	D - 3
42X-82151-00	F - 5	5TA-85885-00	C - 3	90149-05162	F - 3	90201-10119	E - 9	90387-18005	D - 5	90480-15528	B - 9
5TA-82310-10	F - 4	5NY-W0041-00	E - 8	90149-05283	E - 12	90201-104R2	C - 15	90387-18007	C - 5	90480-18549	D - 13
5TJ-82510-00	F - 5	5UN-W0042-50	E - 11	90149-06011	D - 13	90201-105A8	C - 9	90387-2113G	C - 11	90501-043E0	C - 7
5TJ-82514-00	F - 5	5MV-W0045-01	E - 3	90149-06126	C - 5	90201-12020	E - 12	90387-2513F	C - 11	90501-052G5	C - 14
5TJ-82540-01	F - 4	5UN-W0046-51	E - 6	90149-06250	B - 4	90201-12166	B - 10	90401-08038	B - 11	90501-06022	C - 13
5TJ-82590-50	F - 4	3JD-W0047-00	E - 3	90149-06326	C - 5	90201-125L6	C - 10	90401-10159	B - 11	90501-147A5	C - 8
5TJ-82590-60	F - 4	5UN-W0047-50	E - 6	90149-06327	E - 3	90201-145M4	C - 15	90401-10172	E - 8	90501-16016	C - 8
5TJ-82911-50	F - 3	1UY-W0048-50	E - 3	90151-04001	D - 5	90201-14740	D - 6		E - 11	90501-22003	C - 10
5BE-82912-00	F - 8			90152-06010	C - 8	90201-15701	C - 6	90430-06014	B - 2	90506-16500	E - 9
38V-82913-00	F - 8	5UN-W0057-00	E - 3	90154-05026	F - 4	90201-160F6	D - 5		B - 7	90506-30002	E - 9
5XD-82913-00	F - 3	5UN-W0057-50	E - 6	90157-02031	E - 14	90201-162H4	C - 8		B - 8	90508-14020	C - 10
5TJ-82917-00	F - 3	5TA-W1228-00	F - 8	90159-06078	D - 4	90201-167P7	C - 8		C - 5	90508-162B2	F - 8
5XD-82946-00	F - 3	5XE-W2587-00	E - 8	90159-06092	C - 10	90201-20276	C - 8	90430-08119	B - 11	90508-26561	C - 13
5TJ-8350E-00	E - 14	90101-05033	F - 3	90159-06182	D - 4	90201-203U1	E - 5		C - 15	90508-282B8	E - 9
4V5-83513-00	E - 14	90101-06001	C - 8	90159-06189	E - 15	90201-20685	C - 8	90430-10188	B - 11	90508-282B9	E - 9
5NG-83519-00	E - 14	90101-06664	C - 14	90170-14171	B - 4	90201-247L2	D - 9		C - 5	90508-291A8	C - 14
437-83525-00	E - 14	90101-08777	E - 5	90170-20327	C - 10	90201-253K0	C - 11	90445-09100	D - 13	90508-305B0	C - 8

NUMERICAL INDEX

PART NO.	GRID NO.	PART NO.	GRID NO.	PART NO.	GRID NO.	PART NO.	GRID NO.	PART NO.	GRID NO.	PART NO.	GRID NO.
91314-06030	B - 10	93210-19123	C - 6	9383E-15082	C - 12	95027-08040	D - 9	99009-16400	C - 8		
91316-04012	B - 14	93210-19758	B - 8	94108-21015	E - 2		D - 12	99009-20400	C - 8		
91317-05008	D - 5	93210-21276	F - 4	94111-18008	E - 4	95027-08065	C - 15	99009-22500	C - 6		
91317-05012	C - 6	93210-22164	C - 11	94212-18188	E - 4	95027-10016	C - 5	99009-45500	E - 4		
91317-06014	E - 8	93210-25711	E - 13	94227-21101	E - 2	95027-10020	E - 9	99530-08012	B - 10		
	E - 12	93210-27370	C - 6	94309-18146	E - 4	95027-10030	E - 9	99530-08016	C - 6		
91317-06050	C - 5	93210-44678	E - 13	94309-21161	E - 2	95607-05100	F - 3	99530-10114	B - 10		
91317-06060	C - 5	93210-47675	B - 11	94416-21003	E - 2		F - 8		C - 5		
91317-06075	C - 5	93210-58346	C - 6	94421-18610	E - 4	95607-10200	D - 8	99530-10116	C - 5		
91317-08020	C - 4	93300-60804	C - 15	94591-57118	B - 7	95617-06635	B - 2	99530-14016	C - 5		
91401-20012	E - 9	93306-00105	B - 8	94681-76021	E - 5	95617-08620	B - 2	9Y58A-76113	E - 5		
91401-25015	E - 9	93306-00426	C - 11	94701-00411	B - 2	95701-06500	E - 8				
91808-16023	B - 2	93306-00431	C - 11	95024-06010	C - 5	95707-06500	F - 2				
91812-16001	C - 6	93306-07202	E - 4	95027-06008	F - 5	95707-08500	B - 2				
91A11-05125	D - 4	93306-20335	B - 4	95027-06010	B - 2		C - 15				
91A20-05140	D - 4	93306-20532	C - 11		D - 5	95804-06010	C - 4				
92014-05012	F - 3	93306-20593	C - 11		E - 14	95804-06016	C - 4				
92017-05008	E - 14	93306-27205	E - 4		F - 4	95807-06016	E - 10				
92017-10060	C - 15	93306-30633	B - 4	95027-06012	B - 9	95817-08020	C - 4				
92907-05100	E - 13	93306-90403	E - 2		B - 11		D - 2				
92907-08200	E - 3	93306-90501	C - 13		C - 10	95817-10055	C - 15				
92990-08200	E - 9	93310-212R6	C - 9		D - 2	95827-06010	B - 9				
92990-10200	E - 9	93310-63417	B - 4		E - 6		E - 15				
93101-14164	C - 6	93311-62574	B - 4	95027-06016	C - 5	95827-06012	E - 3				
93102-12106	B - 8	93315-32053	D - 6		C - 6	95827-06014	F - 8				
93102-12224	C - 10	93315-32056	D - 5		D - 13	95827-06016	B - 13				
	C - 14	93317-11287	C - 10		E - 6		D - 4				
	F - 8	93317-22262	D - 5	95027-06020	B - 11	95827-08012	C - 15				
93102-20108	C - 8	93332-00068	D - 9		B - 13	97007-05016	F - 8				
93102-26468	E - 2	93332-00081	D - 9		C - 6	97706-40530	F - 2				
93102-32480	C - 11	93340-21505	C - 10		C - 14	97707-30512	B - 13				
93106-22019	D - 5	93342-22217	D - 5		F - 4	97707-40016	B - 12				
93106-30001	E - 4	93410-20038	C - 8	95027-06025	B - 7	97707-50516	B - 13				
93106-30045	E - 4	93420-18082	B - 4		B - 9	97707-60016	D - 3				
93109-11073	B - 8	93440-10085	C - 10		B - 10	97780-40010	F - 2				
93109-20076	D - 5	93440-10153	B - 2		E - 13	97801-03008	D - 13				
93109-28043	D - 5		B - 10	95027-06030	B - 8	98502-04012	B - 14				
93210-07003	B - 11	93440-25084	C - 11		C - 6	98507-05008	E - 13				
93210-07135	B - 11	93440-28062	C - 11	95027-06035	B - 3	98507-05010	E - 11				
93210-08001	D - 2	93440-41178	B - 7	95027-06040	C - 6	98507-05020	E - 7				
93210-09008	B - 11	93503-08007	C - 7	95027-06050	D - 5		F - 8				
93210-10197	B - 10	93507-32009	C - 8	95027-06065	B - 11	98507-06025	C - 5				
	C - 5	93511-32027	C - 10	95027-06080	C - 7	98706-04012	E - 8				
	E - 9	93603-16219	B - 10	95027-08012	D - 2	98707-06025	D - 13				
93210-11073	B - 11	93604-10011	B - 8		E - 14	98907-06025	D - 13				
93210-12759	C - 6	93608-33002	C - 14	95027-08020	E - 3	98980-06008	C - 4				
93210-14369	B - 9	93612-16254	B - 3	95027-08035	D - 9	99001-08600	B - 10				
93210-16500	C - 8	9383E-14215	C - 12	95027-08040	C - 15	99009-12400	B - 10				